

# ATP SERIES

## LES POMPES TURBOMOLECULAIRES TURBOMOLECULAR PUMPS



### Manuel de l'utilisateur User's manual

**adixen**

by Alcatel Vacuum Technology



Alcatel Vacuum Technology, as part of the Alcatel-Lucent Group, has been supplying vacuum pumps, helium and hydrogen leak detection systems, plasma sensors, vacuum measurement for several years.

Thanks to its complete range of products, the company has become an essential player in multiple applications : instrumentation, Research & Development, industry and semiconductors.

Alcatel Vacuum Technology has launched Adixen, its new brand name, in recognition of the company's international standing in vacuum position.

With both ISO 9001 and 14001 certifications, the French company is an acknowledged expert in service and support, and Adixen products have the highest quality and environmental standards.



With 45 years of experience, AVT today has a worldwide presence, through its international network that includes a whole host of experienced subsidiaries, distributors and agents.

The first step was the founding of Alcatel Vacuum Products (Hingham- MA) in the United States, thirty years ago, reinforced today by 2 others US subsidiaries in Fremont (CA) and Tempe (AZ).

In Europe, AVTF-France headquarters and its subsidiaries, Alcatel Hochvakuumtechnik (Germany), Alcatel Vacuum Technology UK (Scotland), Alcatel Vacuum Technology Benelux (Netherlands), Alcatel Vacuum Systems (Italy) and more recently Adixen Sensistor AB in Sweden (in 2007) form the foundation for the European partner network. In Asia, our presence started in 1993 with Alcatel Vacuum Technology (Japan), and has been strengthened with Alcatel Vacuum Technology Korea (in 1995), Alcatel Vacuum Technology Taiwan (in 2001), Alcatel Vacuum Technology Singapore, Alcatel Vacuum Technology Shanghai (China) (in 2004) This organization is rounded off by more than 40 representatives based in a variety of continents.

Thus, whatever the circumstances, the users of Adixen products can always rely on quick support of our specialists in Vacuum Technology.





---

# ATP Series Turbomolecular Pumps

## Welcome

Dear Customer,

You have just purchased an Alcatel turbomolecular pump. We would like to thank you and are proud to count you as one of our customers.

This product has benefited from Alcatel's many years of experience in the field of turbomolecular pump design.



**In order to ensure the best possible performance of the equipment and your complete satisfaction in using it, we advise you to read this manual carefully before any intervention on your pump and to pay particular attention to the equipment installation and start-up section.**

### APPLICATIONS:

- **INDUSTRY**  
Cryogenics, Freeze drying, Vacuum drying, etc.
- **INSTRUMENTATION**  
Mass spectrometry, surface analysis, etc.
- **RESEARCH AND DEVELOPMENT**  
Ultra-high vacuum systems, Particle accelerators, etc.
- **VARIOUS SEMICONDUCTOR PROCESSES**

### ADVANTAGES:

The reliable and sturdy design of ATP pumps ensures performance suited to the fields of application concerned.

MANUAL REFERENCE: **102 710**  
EDITION: **11 - April 2007**

---

## ATP User's Manual

<b>Introduction</b>	■ Introduction to the ATP range and its associated ACT controllers . . . . .	■ <b>A 10</b>
	■ Turbomolecular pump operating principle . . . . .	■ <b>A 20</b>
	■ The different versions . . . . .	■ <b>A 30</b>
	■ ACT controllers control modes . . . . .	■ <b>A 40</b>
	■ Accessories . . . . .	■ <b>A 50</b>
	■ Integrable controllers . . . . .	■ <b>A 60</b>
	■ Technical characteristics of pumps . . . . .	■ <b>A 70</b>
	■ Dimensions of pumps . . . . .	■ <b>A 80</b>
	■ Controller technical characteristics . . . . .	■ <b>A 90</b>
	■ Integrable controller technical characteristics type Board and Brick . . . . .	■ <b>A 100</b>
	■ Integrable controller technical characteristics type OEM Board . . . . .	■ <b>A 110</b>

## ATP User's Manual

<b>Start-up</b>	■ Safety instructions . . . . .	■ <b>B 10</b>
	■ Pump connections to an installation . . . . .	■ <b>B 20</b>
	■ Mechanical connections. . . . .	■ <b>B 30</b>
	■ Water cooling connection . . . . .	■ <b>B 40</b>
	■ ACT 200 T and 600 T electrical connections. . . . .	■ <b>B 50</b>
	■ ACT 200 T and 600 T «Remote Control» connector wiring . . . . .	■ <b>B 60</b>
	■ ACT 200 T and 600 T controller start-up . . . . .	■ <b>B 70</b>
	■ ACT 1000 T electrical connections . . . . .	■ <b>B 80</b>
	■ ACT 1000 T «Remote Control» connector wiring . . . . .	■ <b>B 90</b>
	■ ACT 1000 T controller start-up. . . . .	■ <b>B 100</b>
	■ RS 232 or RS 485 serial link wiring . . . . .	■ <b>B 110</b>
	■ Detailed description of RS commands ACT 200 T and 600 T . . . . .	■ <b>B 120</b>
	■ Functions of integrable controllers type Board and Brick . . . . .	■ <b>B 130</b>
	■ Functions of integrable controller type OEM Board . . . . .	■ <b>B 140</b>

## ATP User's Manual

---

<b>Operation</b>	■ First pump start-up / Safety instructions . . . . .	■ <b>C 10</b>
	■ Turbomolecular pump operation in a pumping application. . . . .	■ <b>C 20</b>
	■ Controlling the pump using the controller front panel . . . . .	■ <b>C 30</b>
	■ Displaying the data concerning ACT 200 T and 600 T pumping . . . . .	■ <b>C 40</b>
	■ ACT 200 T and 600 T «Remote Control» connector «Ext. safety» contact operation. . . . .	■ <b>C 50</b>
	■ Controlling the pump using communication software. . . . .	■ <b>C 61</b>

<b>Maintenance</b>	■ Diagnosis and troubleshooting ACT 200 T and 600 T . . . . .	■ <b>D 10</b>
	■ Diagnosis and troubleshooting ACT 1000 T. . .	■ <b>D 20</b>
	■ ATP 80/100/150/400 Maintenance frequency . . . . .	■ <b>D 30</b>
	■ ATP 900 Maintenance frequency . . . . .	■ <b>D 40</b>

## ATP User's Manual

<b>Operation sheets</b>	■ Precautions before maintenance . . . . .	■ <b>E 10</b>
	■ ATP 80/100 Pumps lubrication . . . . .	■ <b>E 20</b>
	■ ATP 150/400/900 Pumps lubrication . . . . .	■ <b>E 30</b>
	■ ATP 80/100 bearing replacement . . . . .	■ <b>E 40*</b>
	■ ATP 150/400/900 bearing replacement . . . . .	■ <b>E 50*</b>
	■ Cleaning parts . . . . .	■ <b>E 60*</b>
	■ Pump running-in for ATP 80/100/150/400 . . . . .	■ <b>E 70</b>
	■ Maintenance counters for ACT 200 T and 600 T controllers . . . . .	■ <b>E 80</b>
	■ ATP 900 pump running-in . . . . .	■ <b>E 90</b>
	■ Maintenance counters for ACT 1000 T controllers . . . . .	■ <b>E 100</b>
<b>Maintenance components</b>	■ Maintenance parts . . . . .	■ <b>F 10</b>
<b>Appendix</b>	■ Pumping curves . . . . .	■ <b>G 10</b>

\* These chapters are included into the ball bearing replacement manual delivered with the specific tool.

### Introduction

■ Introduction to the ATP range and its associated ACT controllers . . . . .	■ <b>A 10</b>
■ Turbomolecular pump operating principle . . . . .	■ <b>A 20</b>
■ The different versions . . . . .	■ <b>A 30</b>
■ ACT controllers control modes . . . . .	■ <b>A 40</b>
■ Accessories . . . . .	■ <b>A 50</b>
■ Integrable controllers . . . . .	■ <b>A 60</b>
■ Technical characteristics of pumps . . . . .	■ <b>A 70</b>
■ Dimensions of pumps . . . . .	■ <b>A 80</b>
■ Controller technical characteristics . . . . .	■ <b>A 90</b>
■ Integrable controller technical characteristics type Board and Brick . . . . .	■ <b>A 100</b>
■ Integrable controller technical characteristics type OEM Board . . . . .	■ <b>A 110</b>



## Introduction to the ATP range and its associated ACT controllers

### ATP turbomolecular pumps



5 turbomolecular pump models from 80 to 900 l/s

### Main characteristics

- Ceramic ball bearings lubricated with grease;
- Adjustable rotation speed between 6000 and 27000 rpm;
- Natural convection, air or water cooling;
- "C" version for corrosive application with nitrogen purge;
- "HPC" high pressure version for semiconductor applications.

### ACT Controllers



3 controller models type ACT

The range of **ACT controllers** offers flexible use and interfacing:

- Alphanumeric display;
- Membran keyboard;
- Monitoring of testing and troubleshooting parameters;
- Dry contact interface for status signals;
- Optocoupled control inputs;
- RS 232/485 serial links;
- Operation at all voltages between 85 and 264 V, 50/60 Hz.

## Introduction to the ATP range and its associated ACT controllers

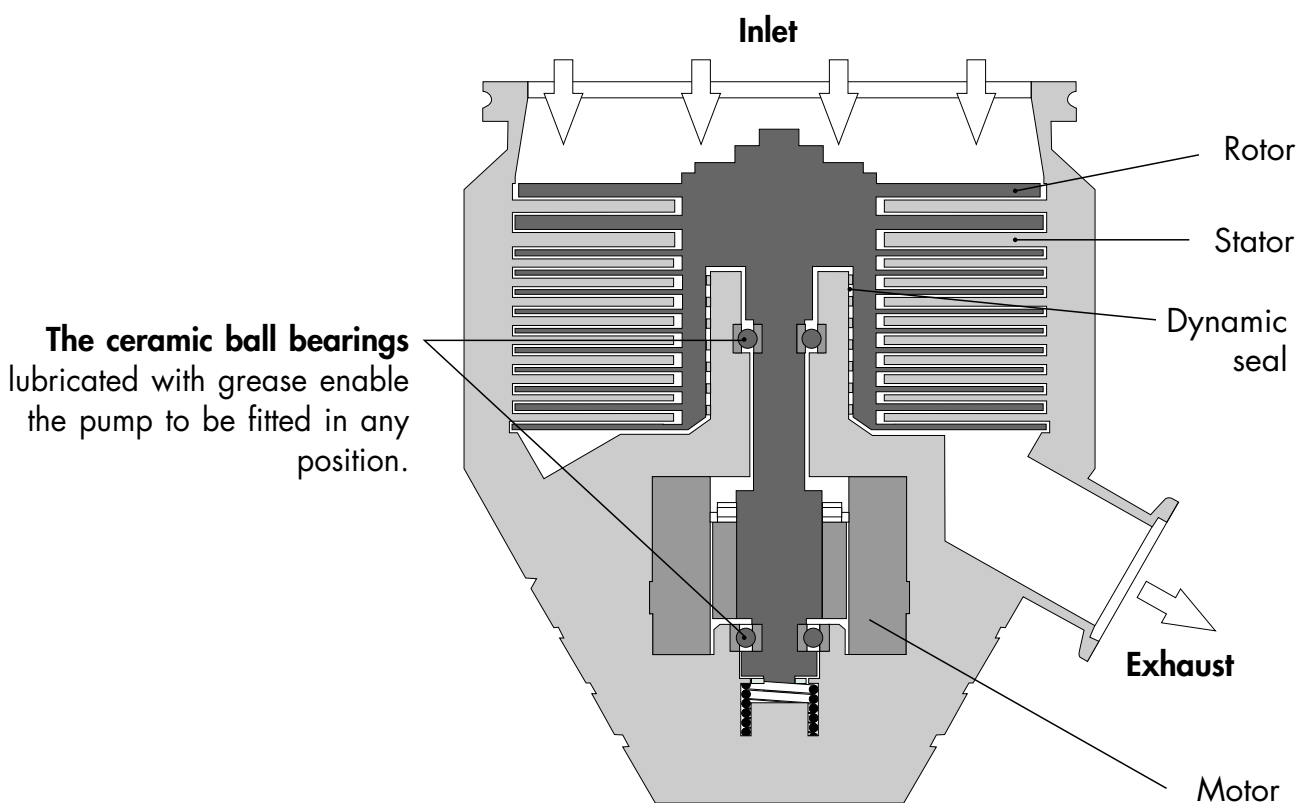
### The different products available

<b>The pumps</b>		<b>ATP 80 ATP 80 C</b>	<b>ATP 100 ATP 100 C</b>	<b>ATP 150 ATP 150 C</b>	<b>ATP 400 ATP 400 C</b>	<b>ATP 900 ATP 900 C</b>
Intake flange		DN 63 ISO-K DN 63 CF-F	DN 100 ISO-K DN 100 CF-F	DN 100 ISO-K DN 100 CF-F	DN 160 ISO-K DN 160 CF-F	DN 200 ISO-K DN 200 CF-F
Cooling type	natural convection	x	x			
	air	x	x	x	x	x
	water	x	x	x	x	x
<b>The pumps</b>					<b>ATP 400 HPC</b>	<b>ATP 900 HPC</b>
Intake flange					DN 100 ISO-K DN 160 ISO-K	DN 200 ISO-K DN 200 CF-F
Water cooling					x	x
<b>The controllers</b>		<b>ACT 200 T</b>		<b>ACT 600 T</b>		<b>ACT 1000 T</b>
Cable length		1 m / 1,5 m 3.5 m / 5 m 10 m / 20 m		1 m / 1,5 m 3.5 m / 5 m 10 m / 15 m / 20 m		3.5 m / 5 m 10 m
Electronic boards to be inserted in a rack		x		x		

## Turbomolecular pump operating principle

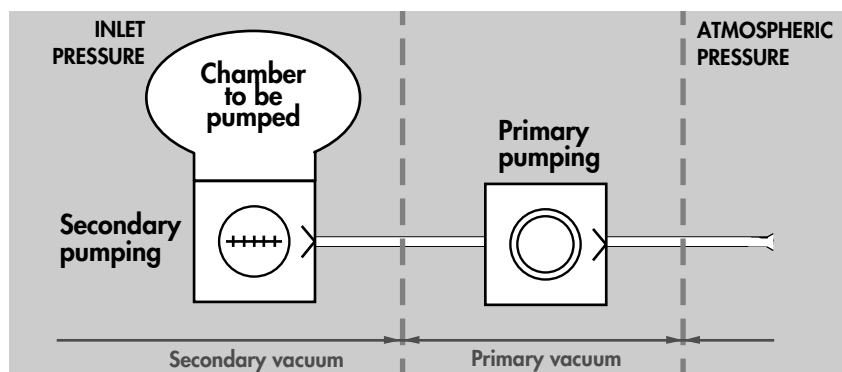
### Functional diagram

In molecular operation, the gas molecules of the vacuum system arrive at the pump intake. They are trapped between the rotating disks of the rotor and the stationary disks of the stator and carried to the exhaust of the pump.



### The turbomolecular pump in an installation

At the turbomolecular pump exhaust, the gases are evacuated to the atmosphere by a primary pump. Since the ATP compression rate is set by the design, the ATP limit pressure is given by that of the primary pump used.



## The different versions: Standard, "C" Corrosive, etc.

### Standard Version Pumping of clean, non- corrosive gases

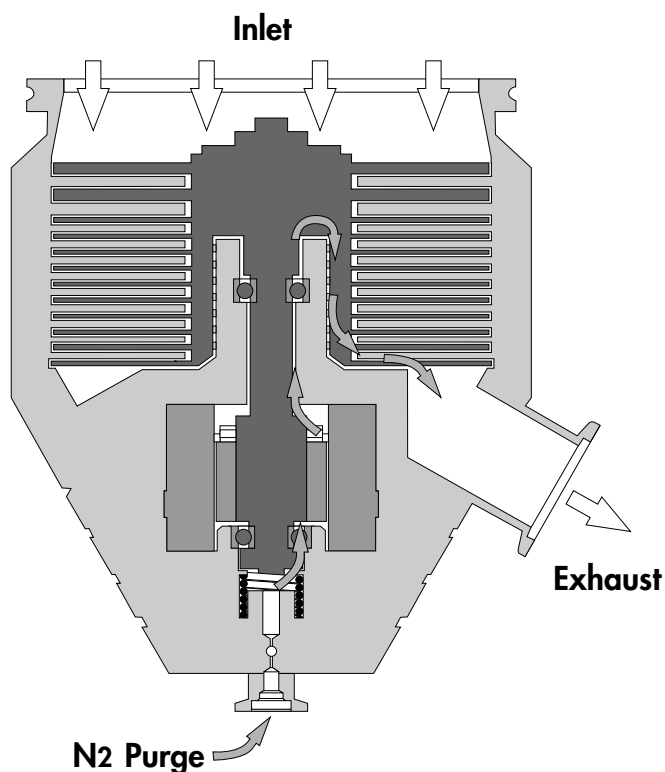
As for the entire range, the pump rotation speed is adjustable, making it possible to produce the optimum pumping characteristics for the customer's application. There are two different types of speed:

- **the nominal speed** which corresponds to the maximum rotation speed of the pump, or 27000 rpm;
- **the reduced speed**, or STANDBY speed, adjustable between 6000 and 27000 rpm.

### "C" Version Corrosive applications

The **inverted dynamic seal** creates a high compression rate between the bearings and the pump exhaust and thus minimizes the quantity of corrosive gases in contact with the bearings.

When used with **a gas purge** for high flow rate applications, the dynamic seal can, on its own, provide excellent protection for ultrahigh vacuum applications.



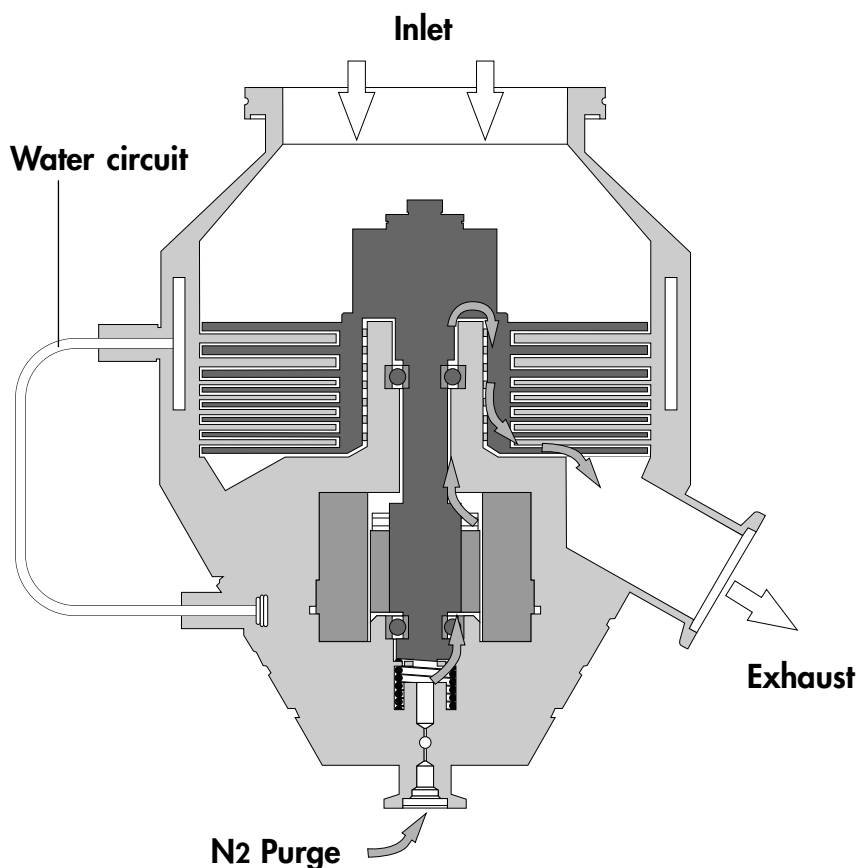
## The different versions: "HPC" High Pressure Corrosive

### "HPC" Version Corrosive version for semiconductor applications

These pumps are specially designed for high flow rate applications in semiconductor applications. They provide:

- increased bearing protection;
- effective bearing protection when the purge is stopped during equipment calibration;
- a reduction in the purge gas flow rate;
- a long bearing service life in the presence of corrosive gases.

The pumps can be heated by the water circuit to prevent condensation of the process gases (water circuit temperature  $\leq 65^{\circ}\text{C}$ ).



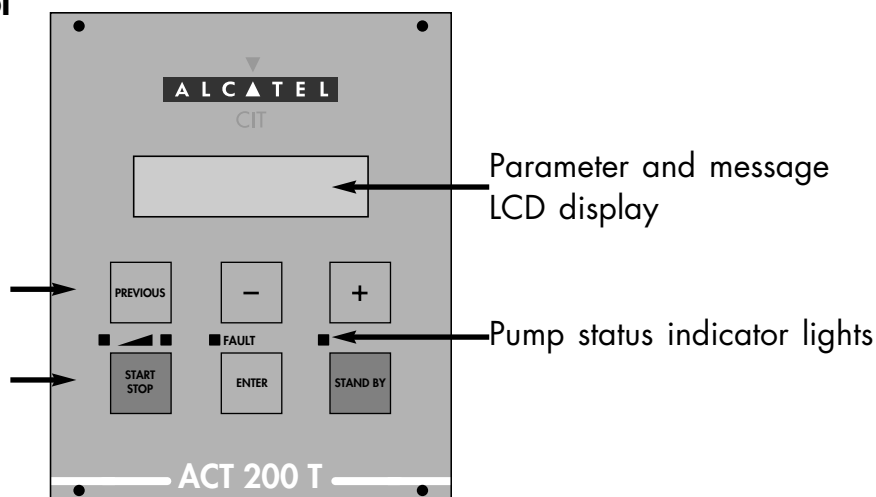
## ACT controllers control modes

### Local mode control

The front panel of the unit comprises:

Parameter selection and configuration keys

Manual control keys

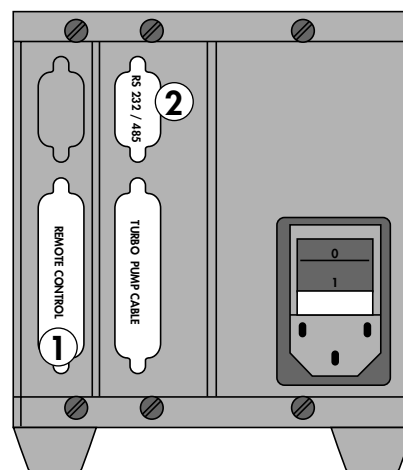


### Remote controls

#### ① The remote control

The remote control with the **REMOTE CONTROL** connector is used:

- for the remote control of the START, STOP, STANDBY functions;
- to replicate the monitoring parameters available in the form of dry contacts.



#### ② RS 232 serial link

The **RS232** serial link is used to control and monitor the pump **using a computer**.

#### ② RS 485 serial link

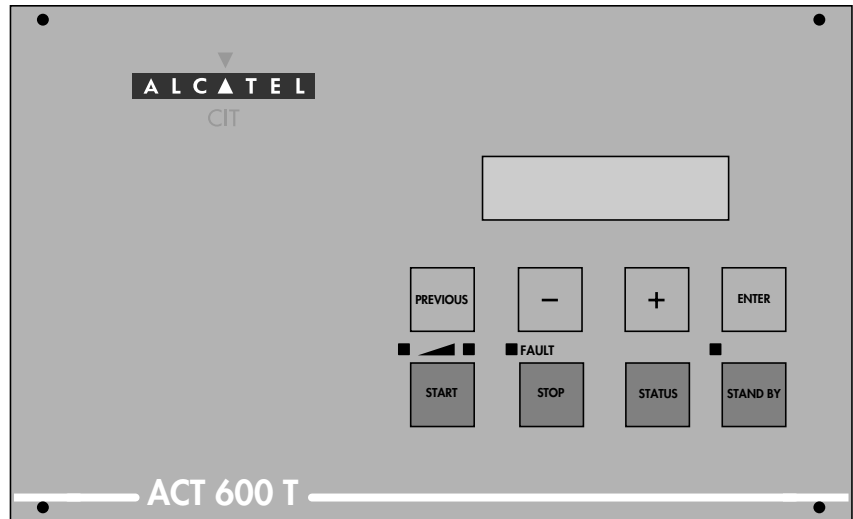
The **RS485** serial link allows many pump installation in a **network**.

The wiring characteristics are given on **B 110**.



## ACT controllers control modes

The ACT 600 T and  
ACT 1000 T controllers are  
1/2 rack units



## Accessories

### Pump accessories

#### Screen filter

This filter protects the pump against solid particles. Mesh size 6 mm.



Filter P/N	Inlet flange			
	DN 63	DN 100	DN 160	DN 200
ISO-K	<b>063000</b>	<b>056844</b>	<b>056942</b>	<b>063158</b>
CF-F	<b>063115</b>	<b>056845</b>	<b>056928</b>	<b>063159</b>

#### Compact filter

This filter stops particles  $\geq 20$  microns and is used in the event of high densities of dust or risks of implosion when pumping tubes or lamps.



Filter P/N	Inlet flange			
	DN 63	DN 100	DN 160	DN 200
ISO-K	<b>063214</b>	<b>063215</b>	<b>063216</b>	<b>062911</b>

#### Bake-out collar

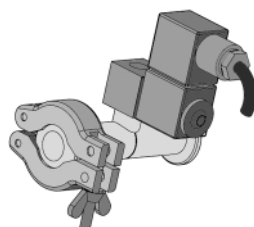
This accelerates degassing and reduces the pressure lowering times.



P/N	Pump type				
	ATP 80	ATP 100	ATP 150	ATP 400	ATP 900
200/240V 50/60Hz	<b>056934</b>	<b>056934</b>	<b>063028</b>	<b>101926</b>	<b>063324</b>
100/115V 50/60Hz	<b>063180</b>	<b>063180</b>	<b>063181</b>	<b>101927</b>	<b>063323</b>

#### Air refill electrovalve system

This is used to refill the pump with air after stopping pumping or for a power supply cut.



Venting valves	Exhaust	
	DN 25	DN 40
Powered and controlled by the ACT		<b>101923*</b>
Powered by the mains and controlled by the ACT		
<b>240V 50/60Hz</b>	<b>063177</b>	<b>063478</b>
<b>220V 50/60Hz</b>	<b>056994</b>	<b>063191</b>
<b>200V 50/60Hz</b>	<b>063176</b>	<b>063480</b>
<b>115V 50/60Hz</b>	<b>063089</b>	<b>063099</b>
<b>100V 50/60Hz</b>	<b>063175</b>	<b>063479</b>

\* ATP 900 only

## Accessories

### Reduction flanges

Flange DN 1 / DN 2	Material		P/N
	ALU*	S.S.**	
63 ISO-K / 25 ISO-KF	●		063268
63 ISO-K / 40 ISO-KF	●		063269
63 ISO-K / 50 ISO-KF	●		063270
63 ISO-K / 63 CF-F		●	063267
100 ISO-K / 40 ISO-KF	●		062900
100 ISO-K / 40 ISO-KF		●	068912
100 ISO-K / 50 ISO-KF	●		062901
100 ISO-K / 50 ISO-KF		●	068911
100 ISO-K / 63 ISO-K	●		062902
160 ISO-K / 50 ISO-KF	●		062904
160 ISO-K / 63 ISO-K	●		062905
160 ISO-K / 100 ISO-K	●		062906
160 CF-F / 100 CF-F		●	062903
200 ISO-K / 63 ISO-K	●		062725
200 ISO-K / 100 ISO-K	●		062907
200 ISO-K / 100 ISO-K		●	062909
200 ISO-K / 160 ISO-K	●		062908
200 ISO-K / 160 ISO-K		●	062910
200 ISO-K / 250 ISO-K		●	066659
200 CF-F / 250 CF-F		●	066660

\* ALU: Aluminium

\*\* S.S.: Stainless Steel

### Power supply cable

Connection cable between the pump and the controller.

Cable length	P/N		
	ACT 200 T	ACT 600 T	ACT 1000 T
1 m	105185	105086	105086
1.5 m	A458759	A458885	A458885
3.5 m	101956	101812	101812
5 m	101957	101810	101810
10 m	101958	101811	101811
15 m	-	105303	-
20 m	A458477	A458478	A458478

## Integrable controllers

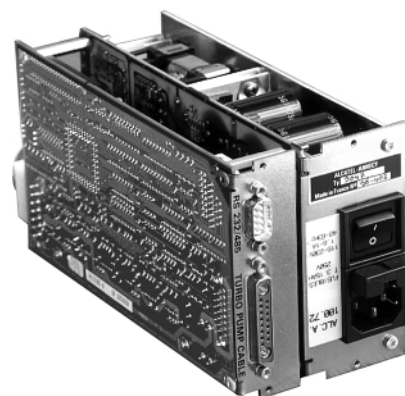
### ACT 200 T Brick ACT 200 T Board

Electronic boards can be substituted to the box version of the controller

ACT 200 T when the pump has to be integrated in a complex installation or equipment.

They provide the functions of speed variator, logic control (controlled by serial link or dry contacts) and power supply (ACT 200 T Brick only) and all the necessary securities.

The Board version must be supplied with DC.

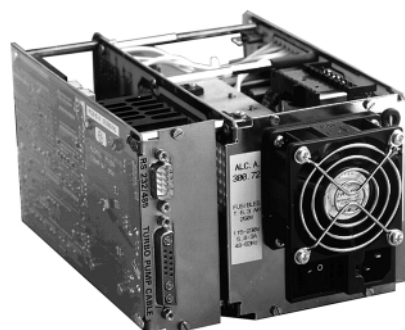


ACT 200 T Board

ACT 200 T Brick

### ACT 600 T Brick ACT 600 T Board

Also, these electronic boards can be substituted to the box version of the controller ACT 600 T.



ACT 600 T Board

ACT 600 T Brick

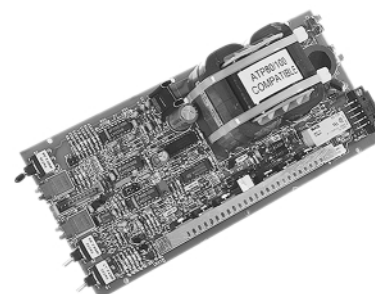
Controller	Part Number	
	ACT 200 T	ACT 600 T
Board	101933	102018
Brick	103517	103997

Connect the integrable controllers to the pump by ordering separately the connection cable (*see A 50 page 2*).

## Integrable controllers

### OEM Board

The integrable controller "OEM Board" (derivated from CFV 100 former controller range) is a simple PC Board which can easily integrated in an installation. It can drive both ATP 80 and ATP 100 pumps, in local or by remote control.



**OEM Board: P/N. P0022E4**

### Power supply cable OEM Board / ATP 80-100

To connect the PC Board , it is necessary to separately order specific connection cable.

Cable lenght	P/N
0,5 m	A458755
2,5 m	A458369
3,5 m	A458425
5 m	A458423
10 m	A458424

### Accessories

Some accessoires can be connected to the OEM Board to extand some functions.

OEM Board accessories	P/N
Time meter 5 V	062761
Time meter 10 V	062320
Outside light kit	062939
Interface kit	062969

## Technical characteristics of pumps

### Standard version

Model characteristics		80	100	150	400	900
Inlet flange	DN	63 ISO-K 63 CF-F	100 ISO-K 100 CF-F	100 ISO-K 100 CF-F	160 ISO-K 160 CF-F	200 ISO-K 200 CF-F
Pumping speed	N <sub>2</sub> l/s	80	100	140	400	900
	He l/s	50	60	100	300	540
	H <sub>2</sub> l/s	40	40	80	250	300
Compression rate	N <sub>2</sub>	8x10 <sup>+7</sup>	8x10 <sup>+7</sup>	7x10 <sup>+8</sup>	7x10 <sup>+8</sup>	1x10 <sup>+9</sup>
	He	2500	2500	1.2x10 <sup>+4</sup>	1.5x10 <sup>+4</sup>	2x10 <sup>+4</sup>
	H <sub>2</sub>	300	300	1x10 <sup>+3</sup>	1x10 <sup>+3</sup>	2x10 <sup>+3</sup>
Rotation speed	rpm	27000				
Reduced speed	rpm	from 6000				
Sound level	dBA	≤ 53				
Start-up time (0 to 27000)		1min45s	1min45s	2min	3min	3min
Exhaust flange	ISO-KF	DN 25	DN 25	DN 25	DN 40	DN 40

Standard version characteristics		ATP 80	ATP 100	ATP 150	ATP 400	ATP 900	
Limit pressure* measured acc. to Pneurop standard	mbar	5x10 <sup>-9</sup>	5x10 <sup>-9</sup>	5x10 <sup>-10</sup>	8x10 <sup>-10</sup>	5x10 <sup>-10</sup>	
Maximum pressure at inlet in continuous operation**	mbar	1x10 <sup>-1</sup>	1x10 <sup>-1</sup>	1x10 <sup>-1</sup>	2x10 <sup>-2</sup>	1x10 <sup>-2</sup>	
Maximum permissible pressure at exhaust**	mbar	2x10 <sup>-1</sup>	3x10 <sup>-1</sup>	4x10 <sup>-1</sup>	2x10 <sup>-1</sup>	3x10 <sup>-1</sup>	
Maximum ambient temperature*	°C	50					
Flange drying temperature	°C	120	120	100	100	100	
Weight	natural cooling	kg	3 4.3	3 4.3			
	air cooling	kg	4 5.3	4 5.3	6.5	9	17.5 18.5
	water cooling	kg	3.4 4.4	3.5 4.7	6.5	9	17 18
Recommended primary pump		Pascal 2005	Pascal 2005	Pascal 2005	Pascal 2015	Pascal 2021	

\* For a water-cooled pump with CF-F flange and exhaust pressure < 1.10<sup>-2</sup> mbar.

\*\* The two maximum pressures cannot occur at the same time



## Technical characteristics of pumps

### Corrosive version «C»

Model characteristics		80	100	150	400	900
Inlet flange	DN	63 ISO-K 63 CF-F	100 ISO-K 100 CF-F	100 ISO-K 100 CF-F	160 ISO-K 160 CF-F	200 ISO-K 200 CF-F
Pumping speed	N2 l/s	80	100	140	400	900
	He l/s	50	60	100	300	540
	H2 l/s	40	40	80	250	300
Compression rate	N2	$8 \times 10^7$	$8 \times 10^7$	$7 \times 10^8$	$7 \times 10^8$	$1 \times 10^9$
	He	2500	2500	$1.2 \times 10^4$	$1.5 \times 10^4$	$2 \times 10^4$
	H2	300	300	$1 \times 10^3$	$1 \times 10^3$	$2 \times 10^3$
Rotation speed	rpm	27000				
Reduced speed	rpm	from 6000				
Sound level	dBA	≤ 53				
Start-up time (0 to 27000)		1min45s	1min45s	2min	3min	3min
Exhaust flange	ISO-KF	DN 25	DN 25	DN 25	DN 40	DN 40

Corrosives versions Characteristics		ATP 80 C	ATP 100 C	ATP 150 C	ATP 400 C	ATP 900 C	
Limit pressure* without purge meas. according to Pneurop standard	mbar	$5 \times 10^{-9}$	$5 \times 10^{-9}$	$5 \times 10^{-10}$	$8 \times 10^{-10}$	$5 \times 10^{-10}$	
Limit pressure* with purge meas. according to Pneurop standard	mbar	$5 \times 10^{-8}$	$5 \times 10^{-8}$	$1 \times 10^{-7}$	$1 \times 10^{-7}$	$1 \times 10^{-7}$	
N2 purge flow rate	SCCM	50					
Maximum pressure at inlet in continuous operation**	mbar	$1 \times 10^{-1}$	$1 \times 10^{-1}$	$5 \times 10^{-1}$	$2 \times 10^{-2}$	$1 \times 10^{-2}$	
Maximum permissible pressure at exhaust**	mbar	$2 \times 10^{-1}$	$3 \times 10^{-1}$	$4 \times 10^{-1}$	$2 \times 10^{-1}$	$1 \times 10^{-1}$	
Maximum ambient temperature*	°C		40	40	40	40 50	
Flange drying temperature	°C	120	120	120	100	100	
N2 purge flange	ISO-KF	DN 16					
Weight	air cooling	kg	4 5.3	4 5.3	6.5	9.1	17.7
	water cooling	kg	3.4 4.4	3.5 4.7	6.5	9.2	17.2
Recommended primary pump		2005 C2	2005 C2	2021 C2	2033 C2	2063 C2	

\* For a water-cooled pump with CF-F flange and exhaust pressure <  $1.10^{-2}$  mbar.

\*\* The two maximum pressures cannot occur at the same time

## Technical characteristics of pumps

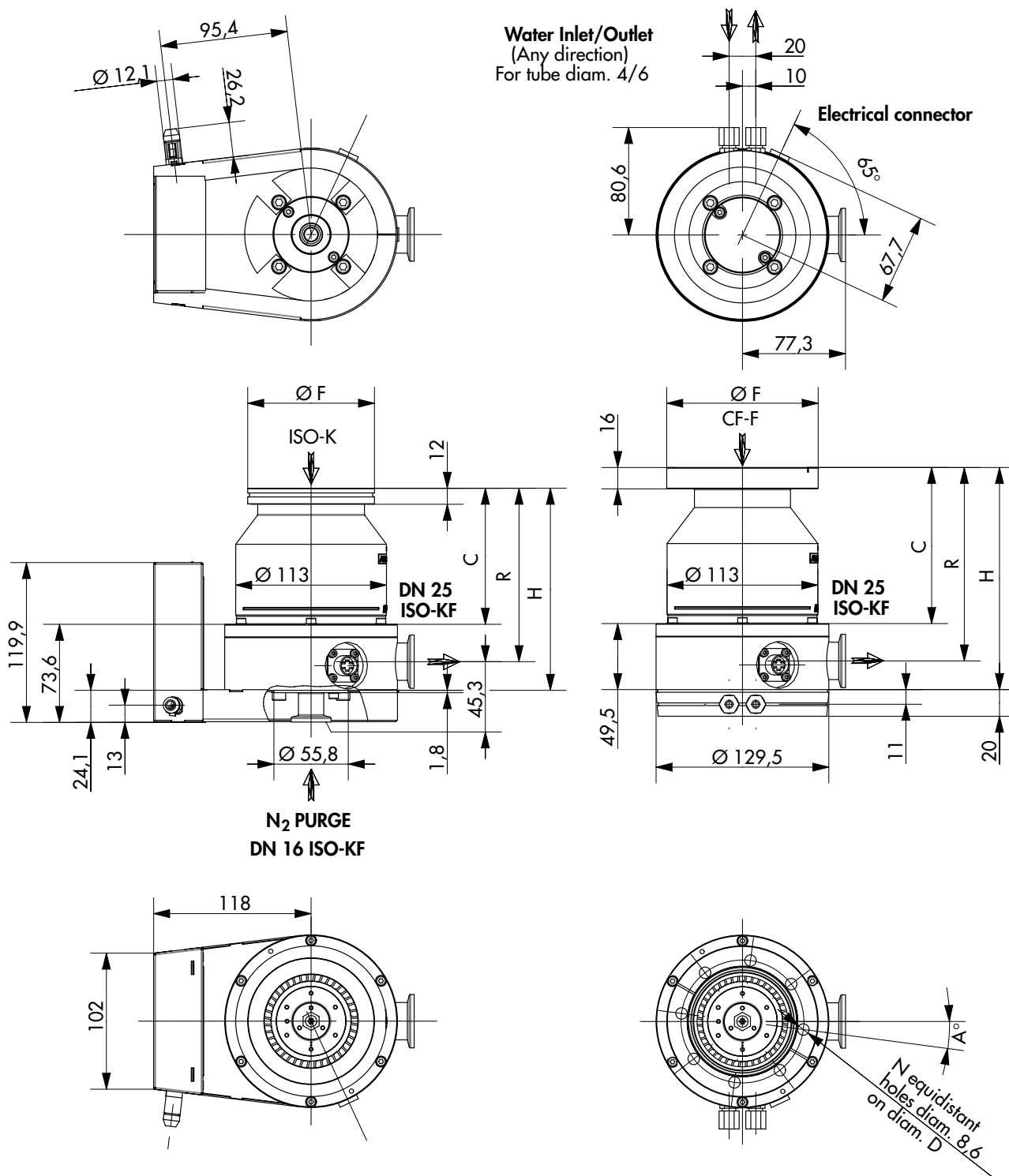
### «HPC» version

HPC version characteristics			ATP 400 HPC		ATP 900 HPC	
			100 ISO-K	160 ISO-K	200 ISO-K	200 CFF
Inlet flange	DN					
Pumping speed	N <sub>2</sub>	l/s	325	380	700	
	Ar	l/s	365	430	785	
	SF <sub>6</sub>	l/s	365	430	785	
Compression rate	N <sub>2</sub>		7x10 <sup>+6</sup>		1x10 <sup>+7</sup>	
	Ar		700		2x10 <sup>+3</sup>	
	SF <sub>6</sub>		100		200	
Limit pressure without purge meas. according to Pneurop standard mbar			5x10 <sup>-8</sup>		5x10 <sup>-8</sup>	
Limit pressure with purge meas. according to Pneurop standard mbar			8x10 <sup>-6</sup>		5x10 <sup>-5</sup>	
N <sub>2</sub> purge flow rate	SCCM		50			
Maximum pressure at inlet in continuous operation*	mbar		1x10 <sup>-1</sup>		2x10 <sup>-2</sup>	
Maximum permissible pressure at exhaust*	mbar		6x10 <sup>-1</sup>		4x10 <sup>-2</sup>	
Rotation speed	rpm		27000			
Reduced speed	rpm		from 6000			
Start-up time (0 to 27000)			2 min			
Maximum ambient temperature	°C		50			
Water circuit temperature	°C		≤ 65			
Noise level	dBA		≤ 53			
Weight	kg		9	8.5	17.7	
Recommended primary pump			2063 C2 or ADP81			
Exhaust flange	ISO-KF		DN 40			
Purge flange	ISO-KF		DN 16			
Max N <sub>2</sub> flux with 2063CP+	SCCM		340	400	450	

\* The two maximum pressures cannot occur at the same time

## Dimensions of pumps

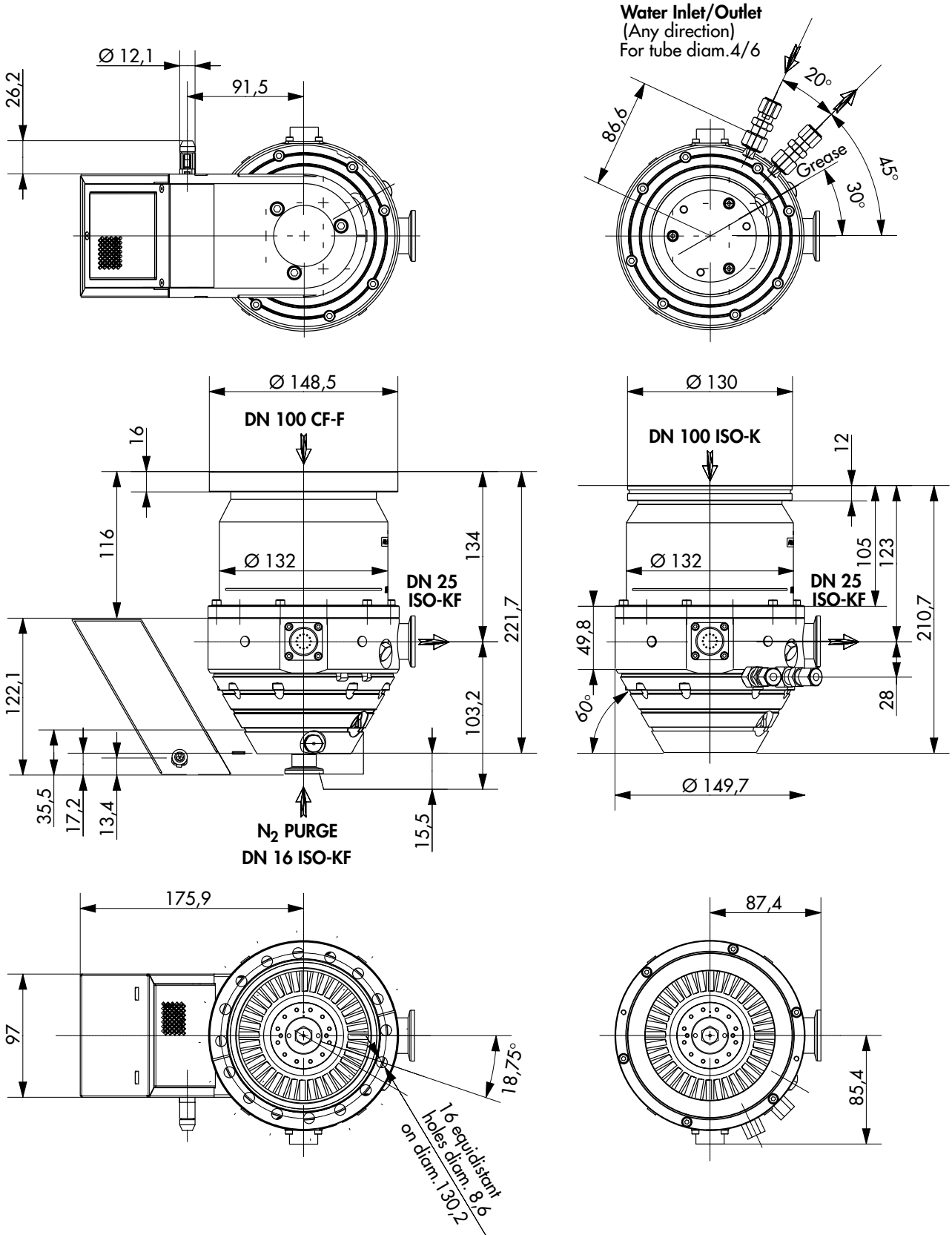
### ATP 80, ATP 100



Inlet flange	R	H	C	F	N	D	A°
DN 63 ISO-K	130	151,5	102	95	-	-	-
DN 63 CF-F	145	166,5	117	113,5	8	92,1	7,5°
DN 100 ISO-K	103	124,5	75	130	-	-	-
DN 100 CF-F	123	144,5	95	148,5	16	130,2	18,75°

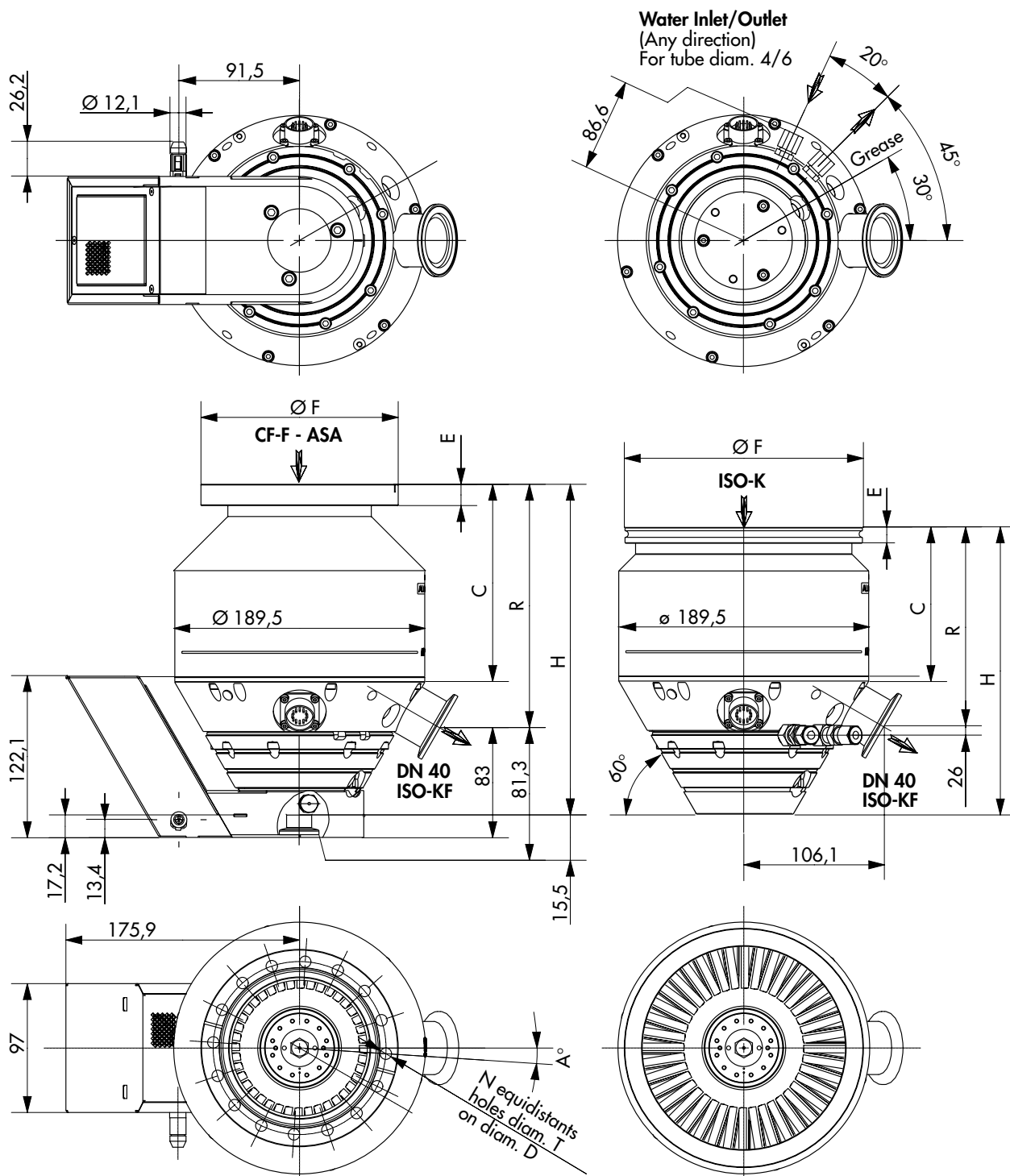
## Dimensions of pumps

### ATP 150



## Dimensions of pumps

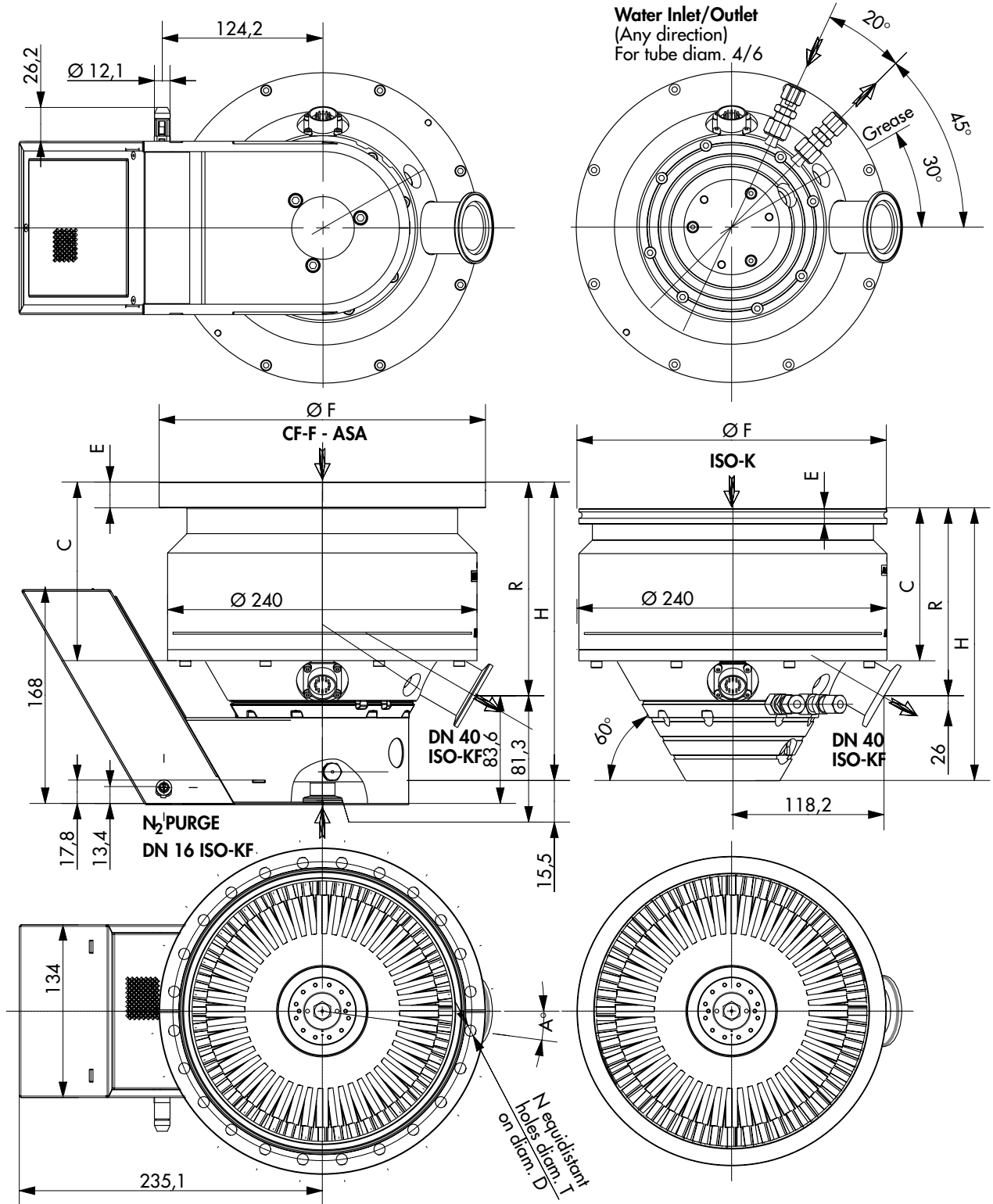
### ATP 400



Inlet flange	R	H	C	F	E	N	T	D	A°
DN 100 ISO-K	181,6	247,4	146,9	130	12	-	-	-	-
DN 100 CF-F	183,1	248,9	148,4	148,5	16	16	8,6	130,2	3,75°
DN 160 ISO-K	151,1	216,9	116,4	180	12	-	-	-	-
DN 160 CF-F	168,1	233,9	133,4	198	16	20	8,6	181,1	6°
ASA 6"	161,1	225,9	125,4	279,4	19	8	20,6	241,3	22,5°

## Dimensions of pumps

### ATP 900

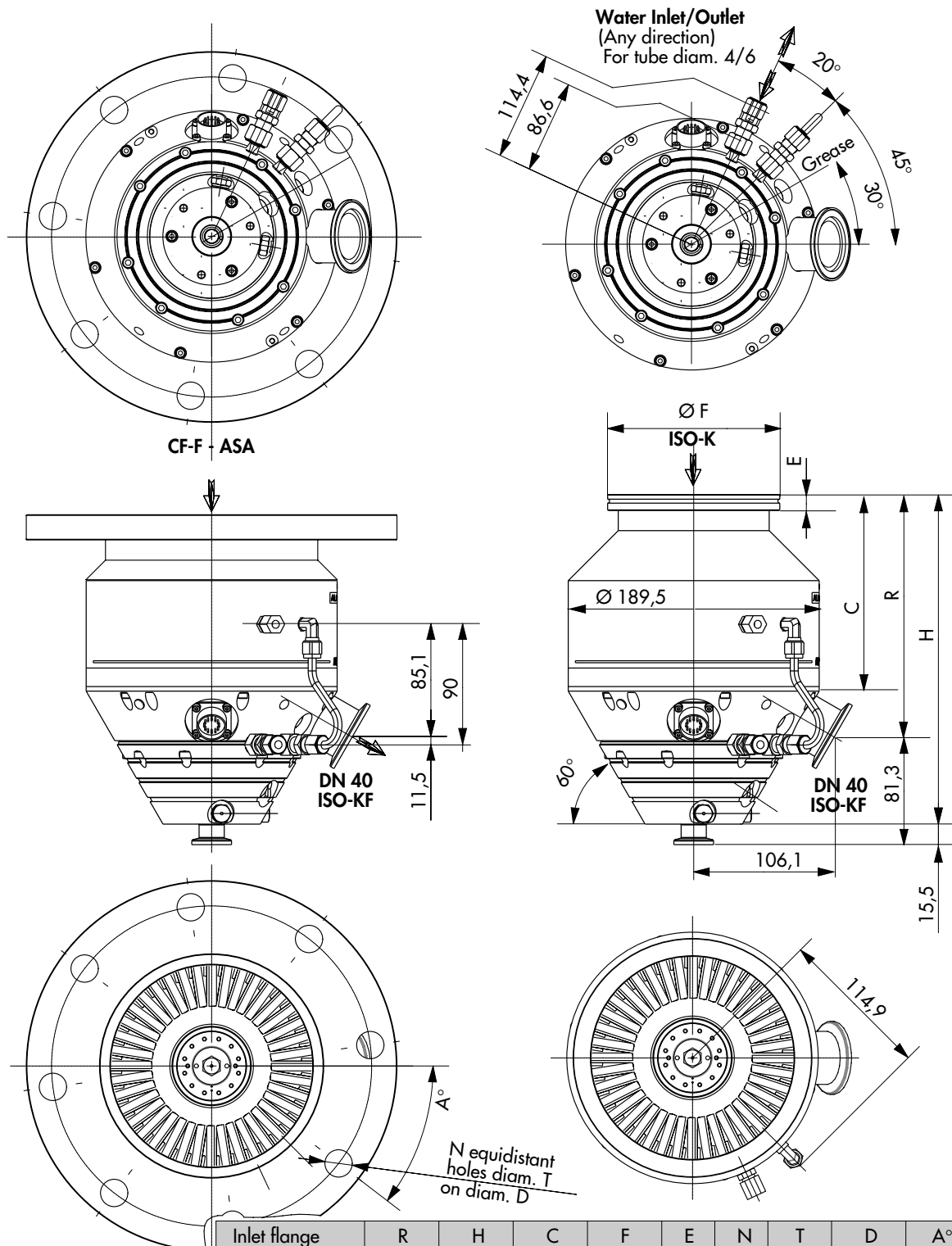


Inlet flange	R	H	C	F	E	N	T	D	A°
DN 200 ISO-K	145,8	211,5	118,5	240	12	-	-	-	-
DN 200 CF-F	165,8	231,5	138,5	253,2	20	24	8,6	231,9	7,5°
ASA 6"	177,8	243,5	150,4	279,4	19	8	20,6	241,3	22,5°



## Dimensions of pumps

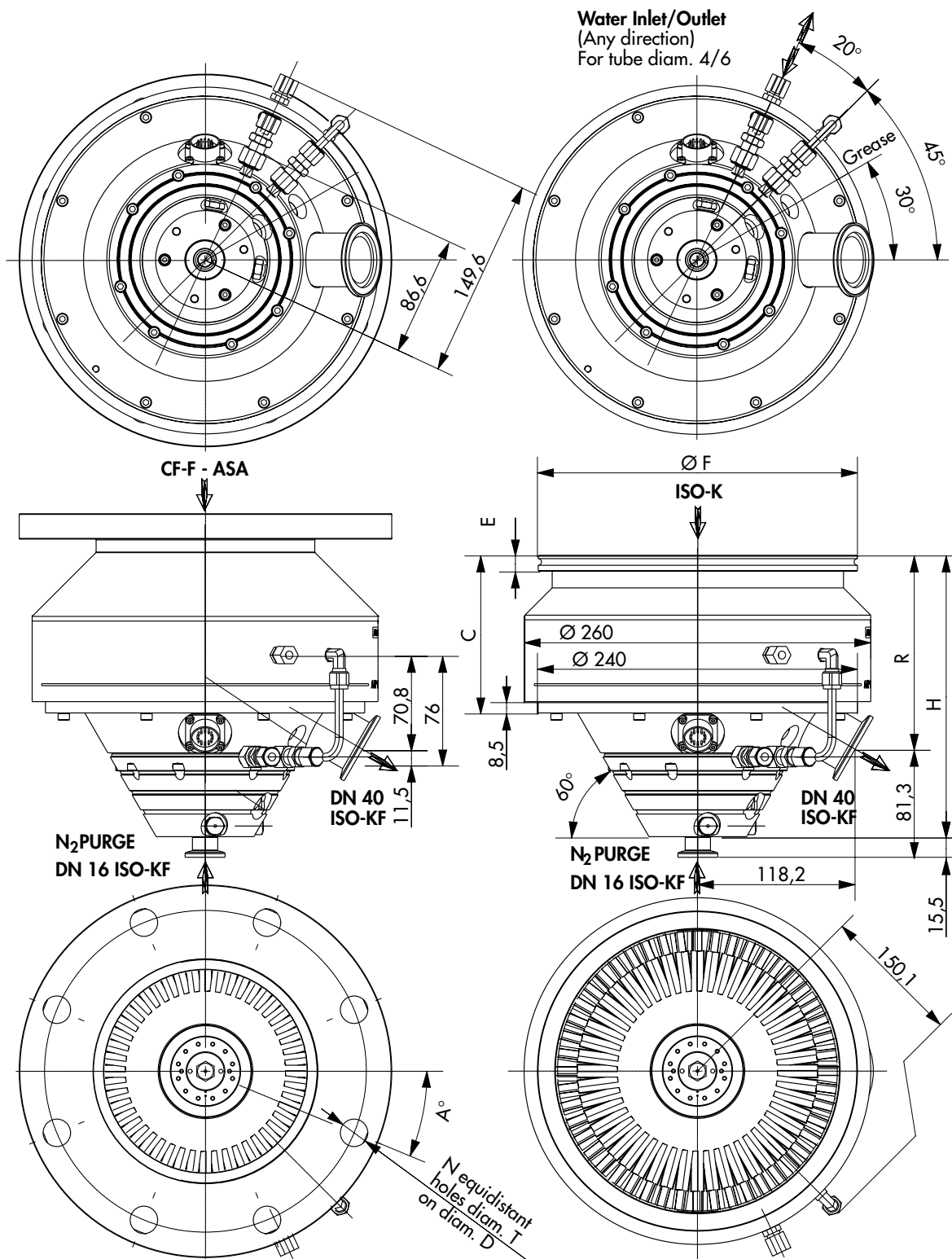
### ATP 400 HPC



Inlet flange	R	H	C	F	E	N	T	D	$A^\circ$
DN 100 ISO-K	181,6	247,4	148,4	130	12	-	-	-	-
DN 100 CF-F	183,1	248,9	148,4	148,5	16	16	8,6	130,2	3,75°
DN 160 ISO-K	151,1	216,9	116,4	180	12	-	-	-	-
DN 160 CF-F	168,1	233,9	133,4	198	16	20	8,6	181,1	6°
ASA 6"	161,1	225,9	125,4	279,4	19	8	20,6	241,3	37,5°

## Dimensions of pumps

### ATP 900 HPC



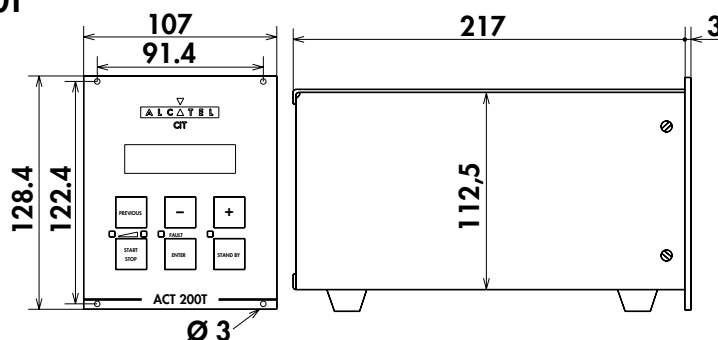
Inlet flange	R	H	C	F	E	N	T	D	A°
DN 200 ISO-K	145,8	211,5	118,5	240	12	-	-	-	-
DN 200 CF-F	165,8	231,5	138,5	253,2	20	24	8,6	231,9	7,5°
ASA 6"	177,8	243,5	150,4	279,4	19	8	20,6	241,3	22,5°

## Controller technical characteristics

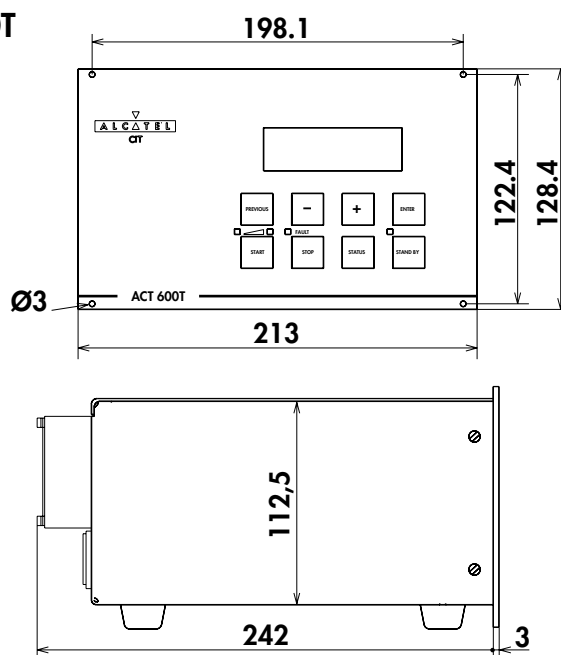
### Electrical characteristics ACT 200T and ACT 600T

Characteristics		ACT 200T	ACT 600T
Weight	kg	2.6	4
Dimensions HxLxP	mm	128.4x107x220	128.4x213x245
Nominal voltage		85-132 V et 170-264V 48/63 Hz	
Maximum current		5.8 A / 3 A	
Maximum power	W	100	300
Ambient operating temperature		T ≤ 50°C	
<b>Customer mains circuit breaker rating</b>		10 A	

### Dimensions ACT 200T



### ACT 600T

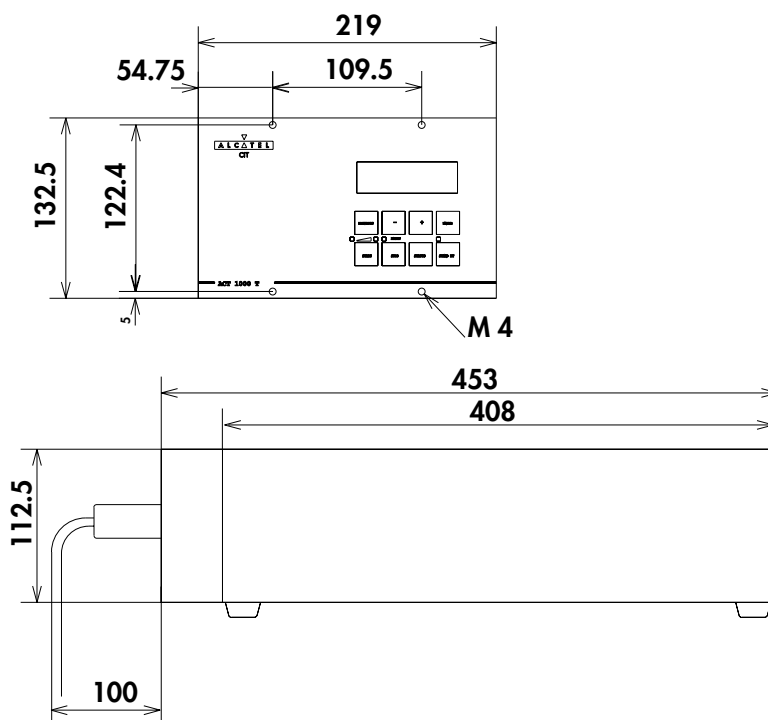


## Controller technical characteristics

### Electrical characteristics ACT 1000T

Characteristics		ACT 1000T
Weight	kg	8.5
Dimensions HxLxP	mm	132.5x219x453
Power supply		100-120 V 200-240 V 50/60 Hz
Maximum power	W	800
Ambient operating temperature		T ≤ 50°C
<b>Customer mains circuit breaker rating</b>		16 A

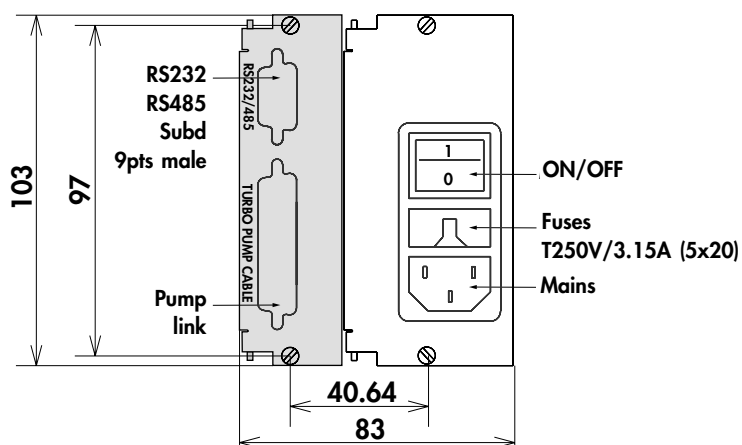
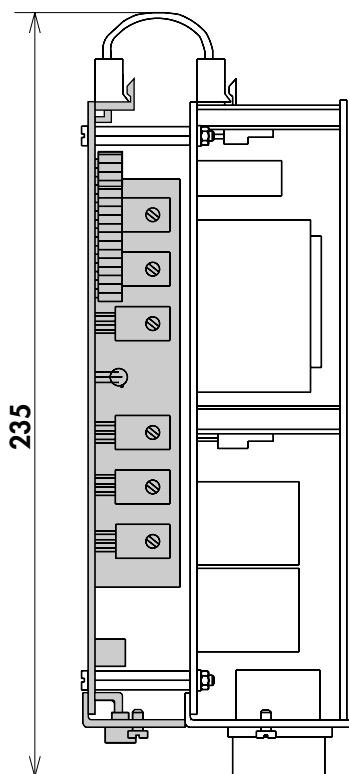
### Dimensions ACT 1000T



## Integrable Brick & Board controller technical characteristics

### ACT 200 T Brick

Dimensions  
(Board + Power supplying)



### Power supplying of ACT 200 T Brick

Nominal voltage: 115/230 V - 48/63 Hz  
Maximum current: 5.8 A / 3 A  
Maximum power: 100 W

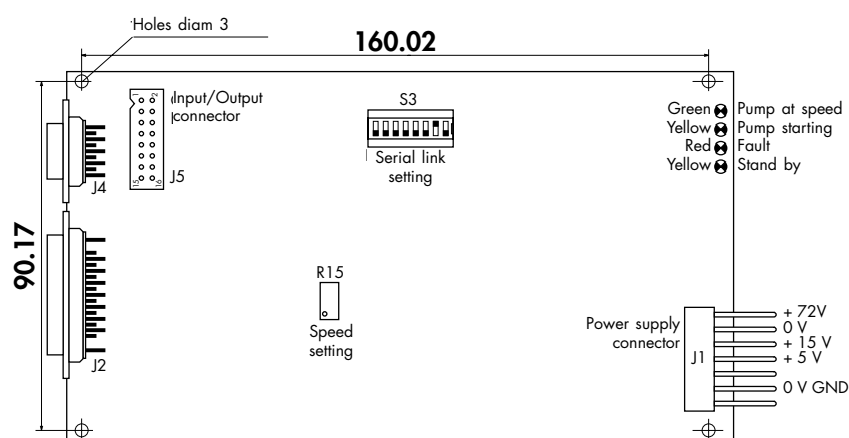
## Integrable Brick & Board controller technical characteristics

### ACT 200 T Board

#### ACT 200 T Board

It can be installed in an Europe size rack:  
Height: 100 mm - Depth: 180 mm  
Outside depth: 210 mm

#### Dimensions



#### Power supplying of ACT 200 T Board

Connector : type Molex Series 30-69 P.N. 09 - 91 - 0700 equipped with 7 contacts P.N. 08 - 050 - 0106

DC voltage necessary to supply the board:

+ 72 V / 1.4 A  $\pm$  1 V

+ 15 V / 0.25 A  $\pm$  100 mV

+ 5 V / 0.4 A  $\pm$  50 mV / - 100 mV

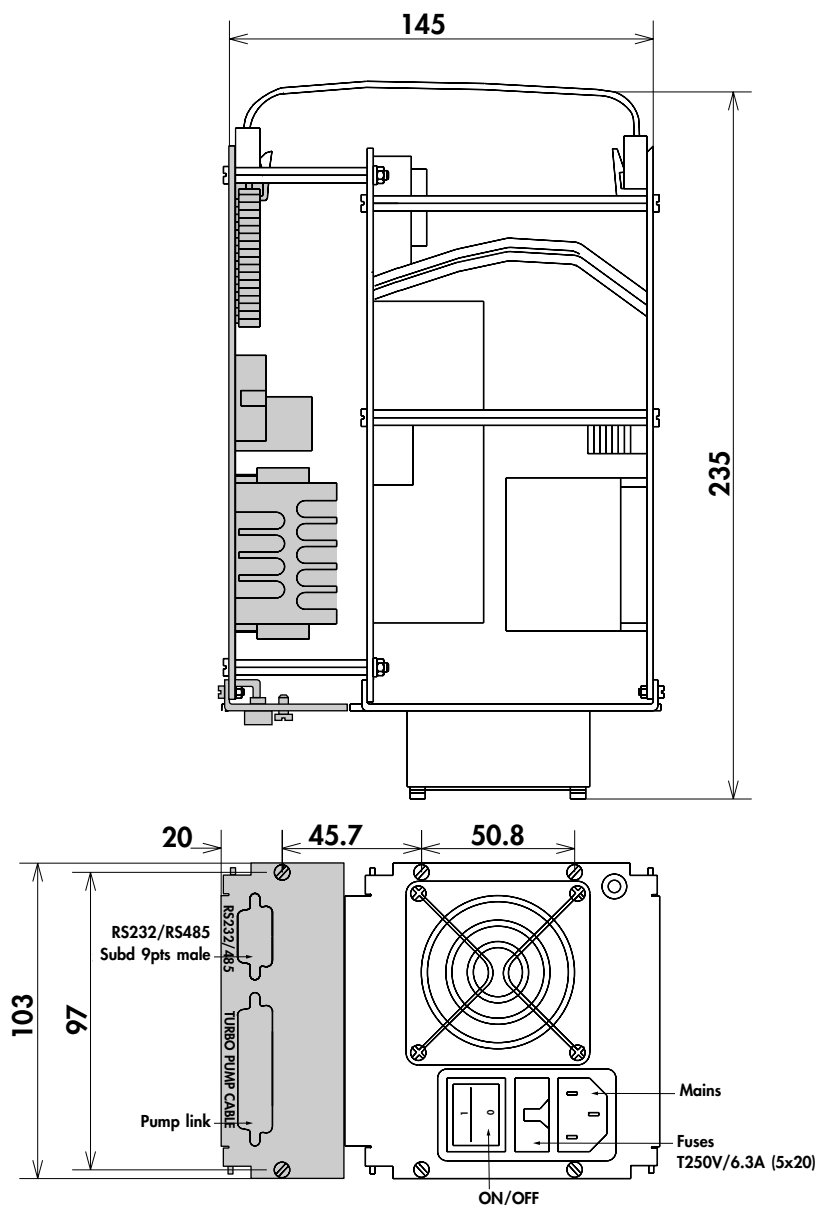
Functions of these integrable controllers (**see B 130**).



## Integrable Brick & Board controller technical characteristics

### ACT 600 T Brick

**Dimensions  
(Board + Power supplying)**



### Power supplying of ACT 600 T Brick

Nominal voltage: 115/230 V - 48/63 Hz  
 Maximum current: 5.8 A / 3 A  
 Maximum power: 300 W

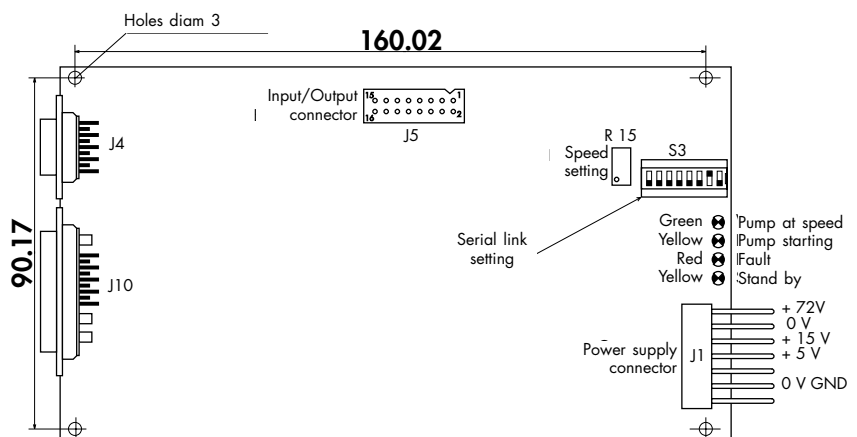
## Integrable Brick & Board controller technical characteristics

### ACT 600 T Board

#### ACT 600 T Board

It can be installed in an Europe size rack:  
Height: 100 mm - Depth: 180 mm  
Outside depth: 210 mm

### Dimensions



### Power supplying of ACT 600 T Board

Connector : type Molex Series 30-69 P.N. 09 - 91 - 0700 equipped with 7 contacts P.N. 08 - 050 - 0106

Voltages delivered by the board:

+ 72 V / 4 A  $\pm$  1 V

+ 15 V / 0.25 A  $\pm$  100 mV

+ 5 V / 0.4 A + 50 mV / - 100 mV

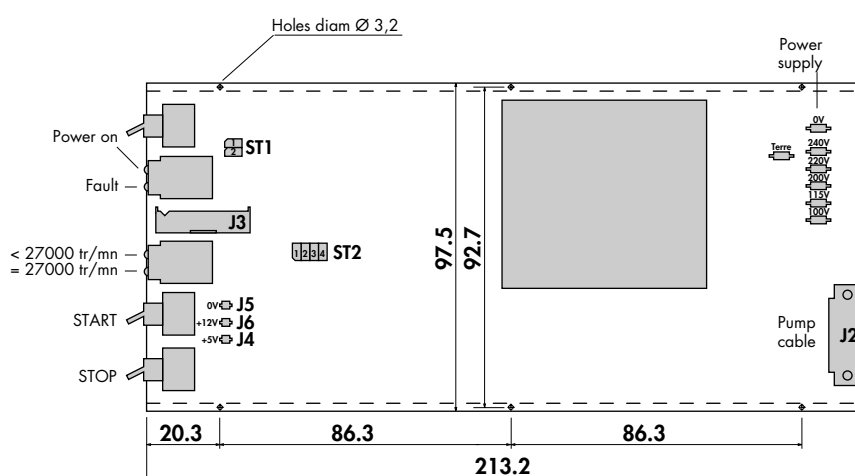
Functions of these integrable controllers (**see B 130**).

## Integrable OEM Board controller technical characteristics

### OEM Board

Installed with M3 screws x 6, or in sliding rail  
(in Alcatel unit):  
Dimensions: 213 x 98 mm.

### Encombremments



### Power supplying of OEM Board

A terminal plug with 7 pins, allows to supply the board  
110 - 115 - 200 - 220 - 240 V AC, 50/60 Hz.

Secure the power line with an external time-delay fuse  
depending on the power supply:

1 A for 100 / 115 V

0.5 A for 200 / 220 / 240 V

Functions of these integrable controllers (*see B 140*).

### Start-up

■ Safety instructions . . . . .	■ <b>B 10</b>
■ Pump connections to an installation . . . . .	■ <b>B 20</b>
■ Mechanical connections . . . . .	■ <b>B 30</b>
■ Water cooling connection . . . . .	■ <b>B 40</b>
■ ACT 200 T and 600 T electrical connections . . . . .	■ <b>B 50</b>
■ ACT 200 T and 600 T «Remote Control» connector wiring . . . . .	■ <b>B 60</b>
■ ACT 200 T and 600 T controller start-up . . . . .	■ <b>B 70</b>
■ ACT 1000 T electrical connections . . . . .	■ <b>B 80</b>
■ ACT 1000 T «Remote Control» connector wiring . . . . .	■ <b>B 90</b>
■ ACT 1000 T controller start-up . . . . .	■ <b>B 100</b>
■ RS 232 or RS 485 serial link wiring . . . . .	■ <b>B 110</b>
■ Detailed description of RS commands ACT 200 T and 600 T. . . . .	■ <b>B 120</b>
■ Functions of integrable controllers type Board and Brick . . . . .	■ <b>B 130</b>
■ Functions of integrable controller type OEM Board . . . . .	■ <b>B 140</b>

## Safety instructions



**Before switching on the pump, the user should study the manual and follow the safety instructions listed in the compliance certificate booklet supplied with the pump.**

**Unpacking** To keep your product in the clean condition in which it left our factory, we recommend to unpack the pump only on its assembly site.

It is advisable to keep the packaging.

**Storage**

- Our equipment can be stored without special precautions (ambient temperature between 5 and 40° C) **provided that the running-in procedure specified in the manual is observed for the first operation of the pump.**

- The seal kits must be stored away from heat and light (direct sunlight and ultraviolet radiation) in order to prevent any hardening of the elastomers.

**Installation Start-up**

- Our products are designed to comply with current EEC regulations. **Any modification of the product made by the user** is liable to lead to non-compliance with the regulations, or even to put into doubt the EMC (electromagnetic compatibility) performance and the safety of the product. ALCATEL declines any responsibility for such operations.

---

## Safety instructions

**Installation**  
**Start-up**  
(continued)

- Before any maintenance operations on a product performed by a maintenance technician who has not received safety training (EMC, electrical safety, chemical pollution, etc.), isolate the product from the various energy sources (electricity, compressed air, etc.).
- The EMC performance of the product is obtained on the condition that the installation complies with EMC rules. In particular, in disturbed environments, **it is essential** to:
  - use shielded cables and connections for interfaces,
  - stabilize the power supply line with meshing from the power supply source to a distance of 3 m from the product inlet.
- The units containing control circuits are designed to guarantee normal safety conditions taking their normal operating environment into account (use in rack). In specific cases of use on tables, make sure that no objects enter the ventilation openings or block the openings when handling the units.
- Certain controllers can be configured to start up automatically after a power cut. In this case, it is the user's responsibility to take all the precautions required to prevent the risks resulting from this type of operation.
- When switching off an item of equipment containing loaded capacitors at over 60 VDC or 25 VAC, take precautions concerning the access to the connector pins (single-phase motors, equipment with mains filter, frequency converter, monitoring unit, etc.).
- When handling the equipment, use the devices provided for this purpose (hoisting rings, handle, etc.).

---

## Safety instructions

### **Installation Start-up** (continued)

- Risk of toppling over: although compliance with EEC safety regulations is guaranteed (normal range  $\pm 10^\circ$ ), it is recommended to take precautions against the risk of toppling over during handling, installation and operation.

- The performance and the operational safety of this product are guaranteed provided that it is used in normal operating conditions.

- The vacuum pump is also a compressor: incorrect use may be dangerous.

#### **Study the user manual before starting up the pump.**

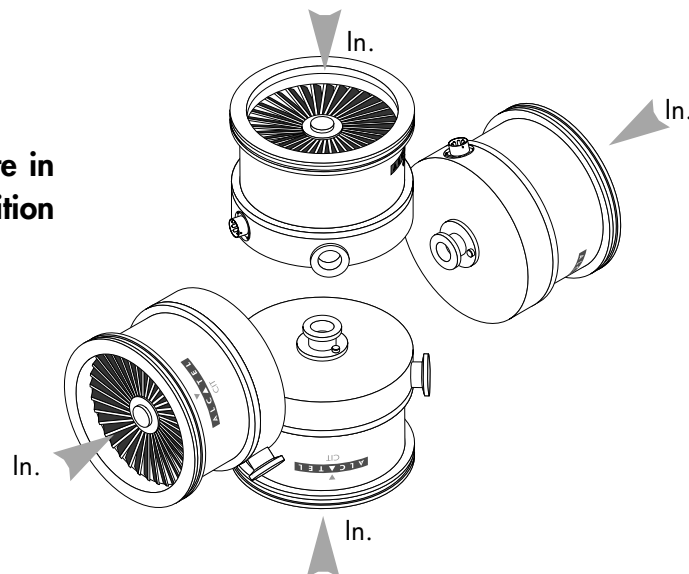
- The access to the rotor of a turbomolecular pump with an unconnected intake is dangerous. Similarly, if the pump is not switched on, it may be driven by another pump in operation (risk of cuts).

- Make sure that the parts or chambers connected to the intake of our pumps withstand a negative pressure of 1 bar in relation to the atmospheric pressure.

- The leaktightness of the products is guaranteed when they leave the factory for normal operating conditions. It is the user's responsibility to maintain the level of leaktightness particularly when pumping dangerous gases.

## Pump connections to an installation

The pump can operate in any position

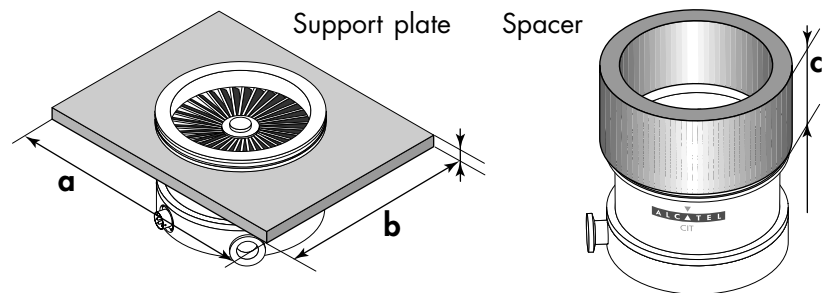


The connection of the pump to the installation must be sufficiently rigid.

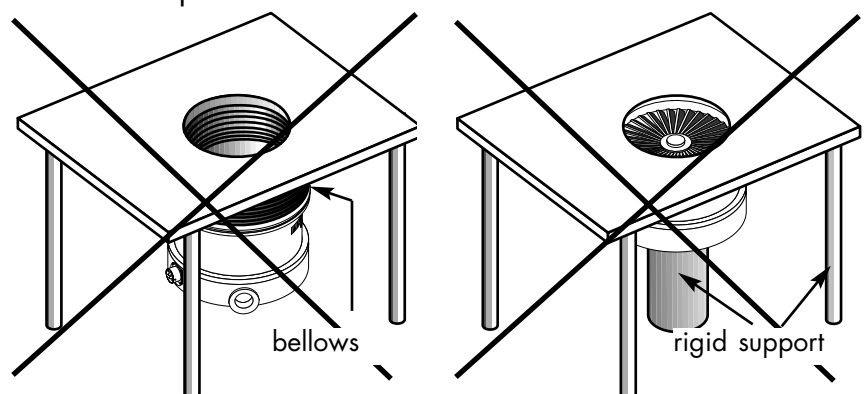
The dimensions of the connection parts should be studied carefully:

For this, reduce the following as much as possible:

- dimensions **a** and **b** and the flexibility of the connection plate;
- the overhang **c** between the pump and its anchor point.



Some examples of unrecommended connection:



The equipment attachment devices should be sufficiently rigid to prevent potential risks in the event of failure of a rotary component or a violent shock on the pump (exceptional phenomena).

For this, use the rotary flange attachment holes.

If the intake flange is attached with grips, use:

- at least 3 grips for secondary pump  $\leq 150$  l/s;
- at least 6 grips for secondary pump  $> 150$  l/s.



## Mechanical connections



Remove the protective parts blocking the intake, exhaust (and, if applicable, purge) openings; these components prevent foreign bodies from entering the pump during transport and storage. It is dangerous to leave them on the pump in operation.

### Ambient operating temperature

Air or natural convection cooled ATP:  $0^{\circ}\text{C} < T < 35^{\circ}\text{C}$ ;  
Water-cooled ATP:  $0^{\circ}\text{C} < T < 50^{\circ}\text{C}$ .

### Inlet

Install the screen filter or compact filter accessory on the pump; connect the pump to the installation\*.

### Exhaust

Connect the vent electrovalve accessory on the pump. Connect the pump to primary pumping circuit\*.



### Purge for C and HPC models

A filtered dry nitrogen supply with the following characteristics is required:

- Dew point  $< 22^{\circ}\text{C}$
- Dust  $< 1\mu\text{m}$
- Oil  $< 0.1\text{ppm}$
- Absolute pressure of 1 to 1.3 bar.

Connect the nitrogen pipe to the DN16 purge fitting\*. A built-in safety valve controls the pressure and guarantees a flow rate of 50 SCCM.

\* Different connection accessories can be found in the ALCATEL catalog.

## Water cooling connection

- Water characteristics** It is recommended to use cooling water with the following characteristics:
- pH between 7.5 and 11
  - Hardness < 7 milli-équivalent/dm<sup>3</sup>
  - Resistivity > 1500 Ω.cm
  - Solid pollution < 100 mg/dm<sup>3</sup>
  - Max pressure = 7 bars
  - Temperature:  
10 < T < 25°C (Std and C) and 0 < T ≤ 65°C (HPC).


**Connection** Connect the cooling circuit with a rigid stainless steel or copper pipe (int. diam. 4 mm - ext. diam. 6 mm) (supplied by customer).

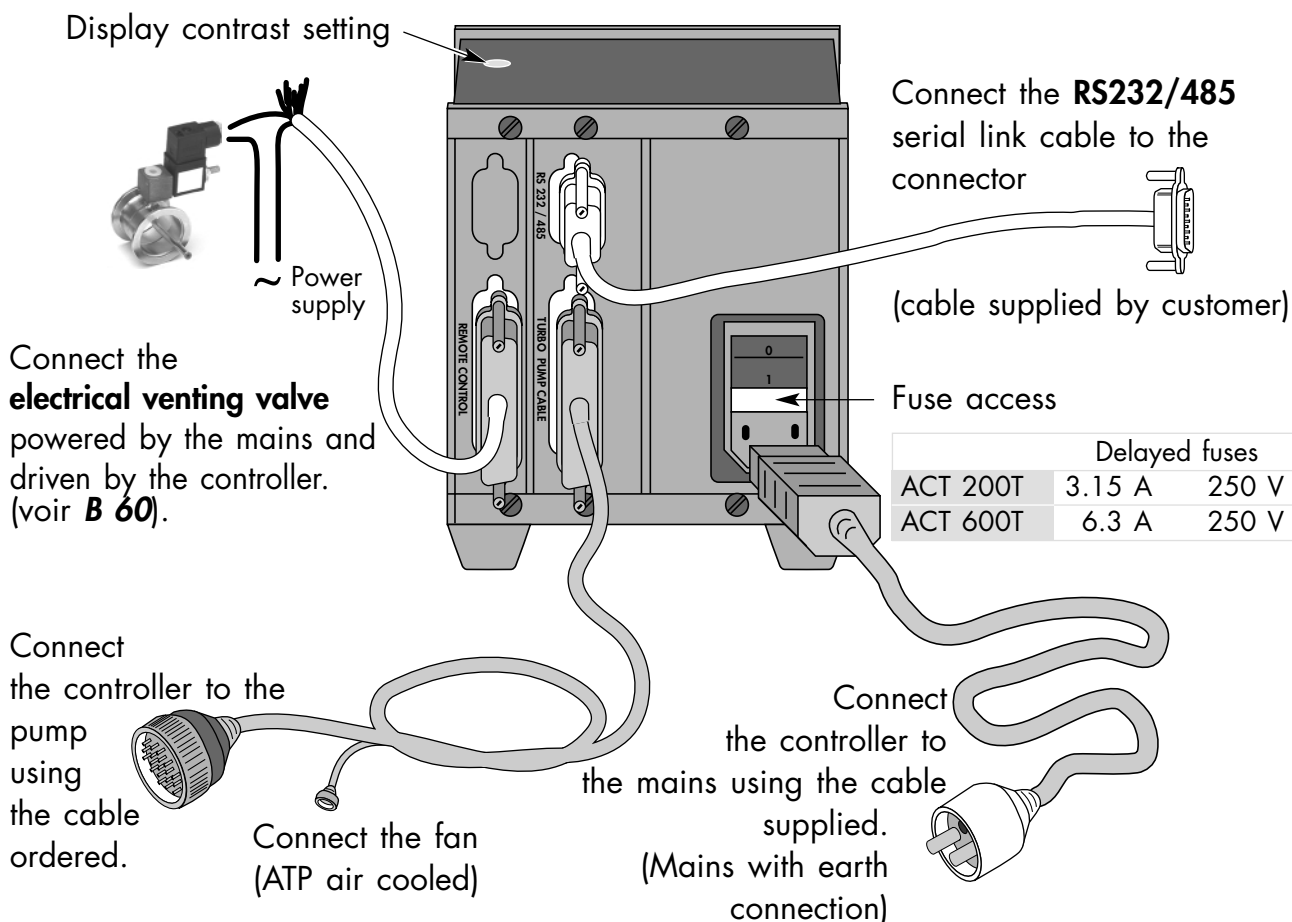
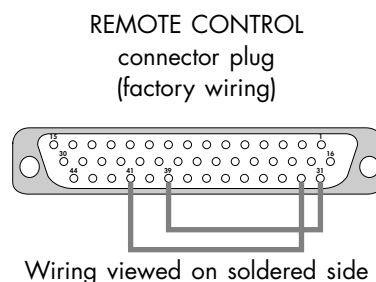
The water flow rate is 0.2 to 1 l/min for water at 15°C at an ambient temperature of 25°C.



## ACT 200 T and 600 T electrical connections

If the controller is remote controlled, make the various connections on the **REMOTE CONTROL** connector (see **B 60**).

 If the controller unit is used in **local mode**: the pump can only operate **if the plug is connected to the REMOTE CONTROL connector**. (Connector plug delivered with the controller).

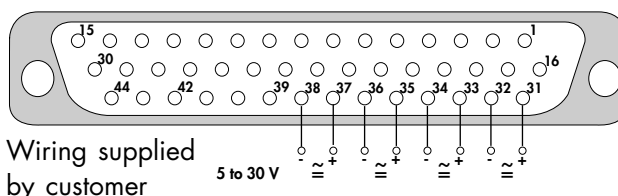


## ACT 200 T and 600 T "Remote Control" connector wiring

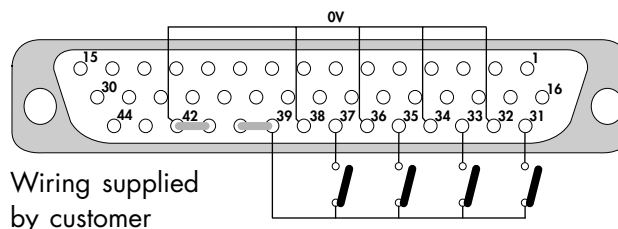


When the units containing the control circuits are equipped with dry contact outputs, it is the customer's responsibility to use the outputs in compliance with safety regulations.

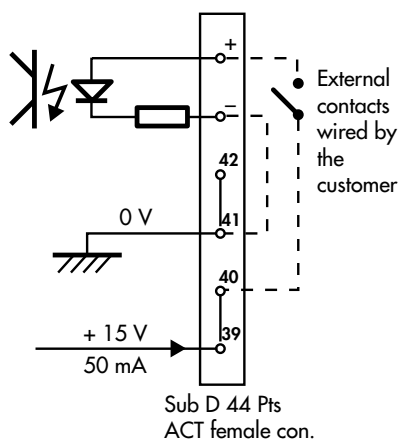
**The control by voltage** The inputs are considered to be activated if the AC or DC voltage applied is between 5 and 30 Volts:  
(DB 44 contacts, female connector)



These inputs can be controlled by external contacts using the following wiring :



### Principle of the input controlled by voltage

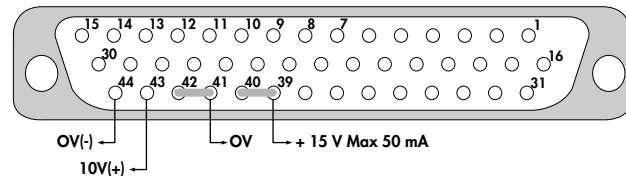


<p>Ext. Safety <b>31 - 32</b></p>	<p>When a voltage is applied on these inputs, the pump is running (see terminal plug wiring). The wiring of an external contact allows to signal an external safety when the contact is opened (i.e. emergency stop).</p>
<p>REMOTE Mode <b>33 - 34</b></p>	<p>When a voltage is applied on these inputs, the Remote is validated. The opening of an external wired contact allows Local mode (pump control using front panel keypad).</p>
<p>STANDBY Mode <b>35 - 36</b></p>	<p>When a voltage is applied on these inputs, the pump rotates at reduced speed. The opening of an external wired contact allows pump rotation at nominal speed.</p>
<p>Start/Stop <b>37 - 38</b></p>	<p>When a voltage is applied on these inputs, the pump starts up and accelerates to reach its nominal or reduced speed (depending on set parameters). The opening of an external wired contact allows pump stopping.</p>

## ACT 200 T and 600 T "Remote Control" connector wiring

### Signaling using output contacts:

These are dry contacts (**250VAC-1A**), their function is to replicate the data concerning the pump operating status.



When the output **contact** is closed, this indicates:

<b>1 - 2</b>	The pump is in running-in mode.
<b>5 - 6</b>	The pump is operating
<b>7 - 8</b>	Copy of Start command. This contact can be used to drive the roughing pump ( <b>see C 50</b> ).
<b>9 - 10</b>	The standby mode is selected.
<b>11 - 12</b>	No faults are signalled.
<b>13 - 14</b>	The pump has reached its nominal speed.
<b>15 - 30</b>	The venting valve fitted in the pump is closed (accessory).

**A 0-10V analog output** is used to monitor variations in certain pump parameters (speed, temperature, etc.) This data can be used to plot curves.

<b>44 - 43</b>	Used to monitor the selected parameter in the "Set Analog output" menu ( <b>see B 70</b> ).
----------------	---

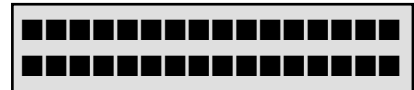
## ACT 200 T and ACT 600 T controller start-up

Once the various electrical connections have been made, set the main switch on the rear panel to "I".

The controller performs a self-test and identifies the pumps to which it can be connected.

The initialization time is approximately 12 seconds.

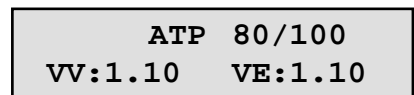
Display initialization



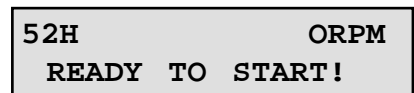
Indicator light test: they are lit in succession.




The equipment is identified : the programs versions are displayed.



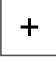
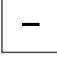
The pump operation time and the speed are displayed.



### The parameter setting keys

Parameter setting access 

- used to access the parameter setting mode.
- used to exit the various menus without validating the functions.

Selection   


- used to move in the menus, or from one parameter to another.
- used to select or adjust the value of the selected parameter.

Validation 

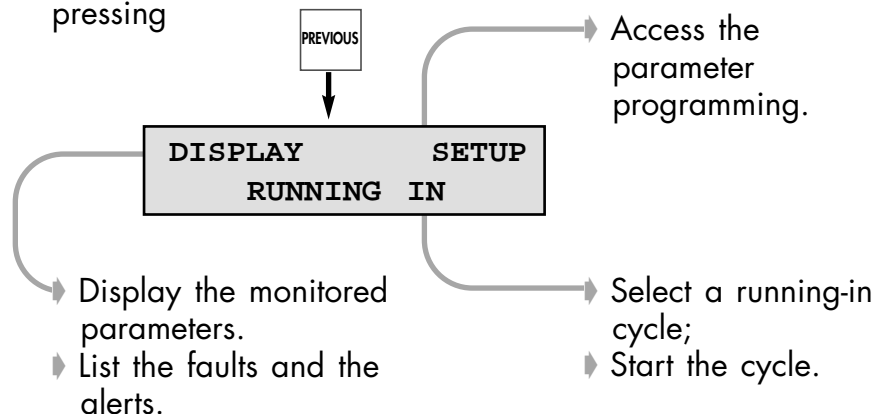
- used to validate the selection of a menu, parameter or value.



- used to exit the menus and return to the pump parameter display (on ACT 600 T ).

### Configure the parameters for the application using the various menus

Enter the sub-menus by pressing



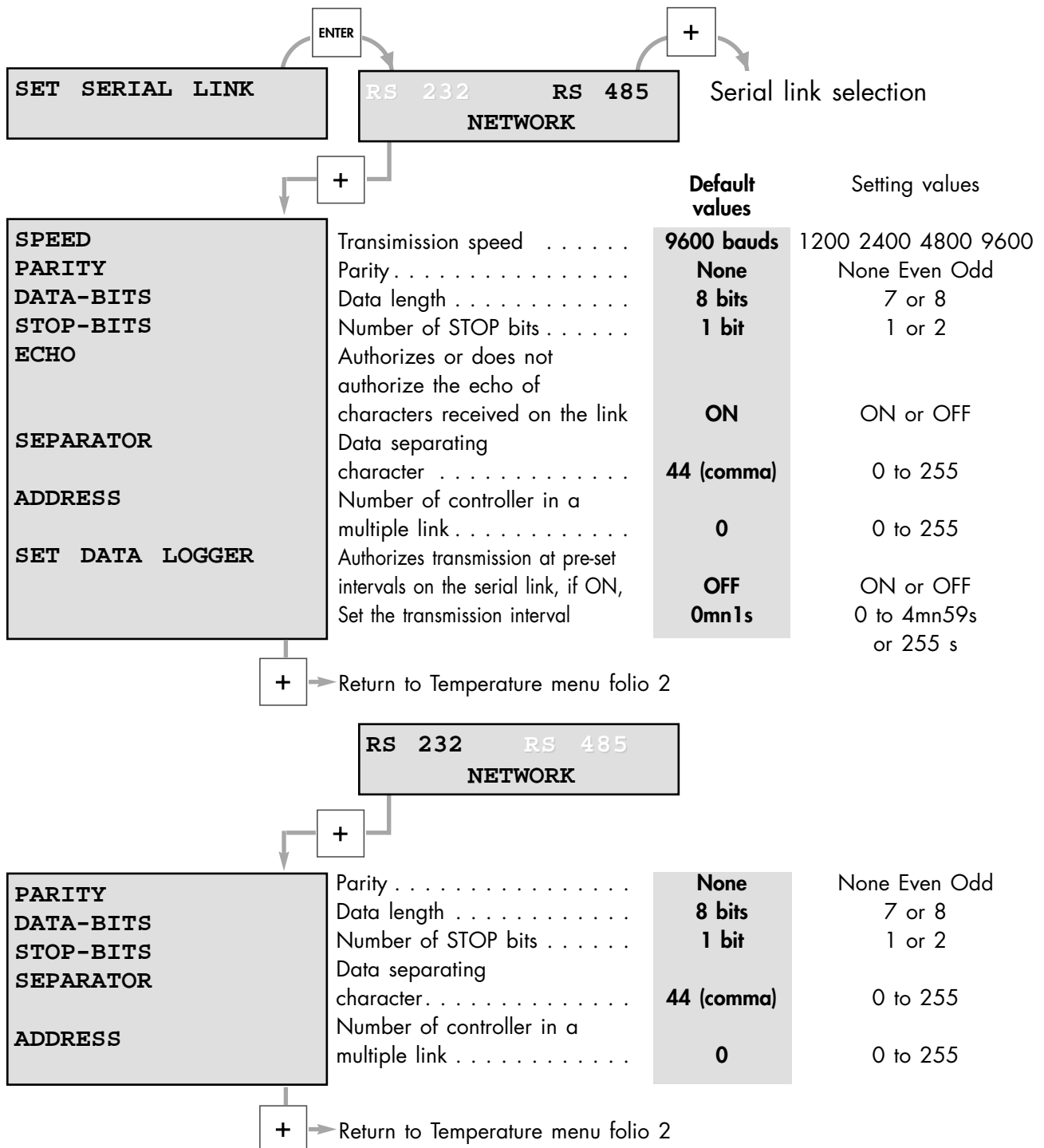
## ACT 200 T and ACT 600 T controller start-up

### Configuring the controller

	ENTER	+	-	Factory configuration
Enter the access code	DISPLAY RUNNING IN	SETUP		0
Configure the 0-10V output	ACCESS CODE	SET ANALOG-OUT		Speed
				Speed: 6.75V = 27000rpm I motor: ATP 80/100: 2.5A / 10V ATP 150/400: 5.1A / 10V θ.PUMP: 0.1V per 1°C θ.CONT: 0.1V per 1°C
Modify the STANDBY speed		STANDBY SPEED		12000
Give the authorization to restart the pump after a power cut		AUTO-STARTING		NO
Activate or deactivate the buzzer		BUZZER		ON
Select the temperature measurement unit		TEMPERATURE UNIT		°C
Set the serial link parameters		SET SERIAL LINK		RS232
Modify the time before starting up the pump		SET START DELAY		0mn 0s
Modify the time before opening the venting valve		TIME TO VENTING		0mn 1s
Modify the venting valve opening time		VENTING TIME		0mn 1s
Program the maximum operating time before regreasing the bearings		MAINTENANCE		M=0 5000h
				M=0 (1000 to 15000 h) M=1 (1000 to 30000 h) M=2 (1000 to 45000 h) (3 times the maintenance time) (see E 80)
Ball bearings life time counter		TIME BEARING		0 h
Modify the access code		NEW CODING		0

## ACT 200 T and ACT 600 T controller start-up

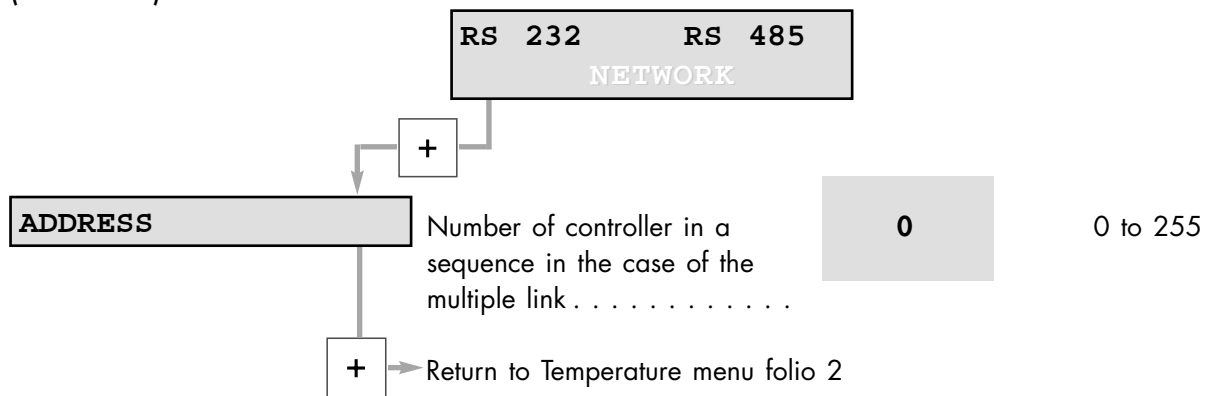
### Serial link setting





# ACT 200 T and ACT 600 T controller start-up

## Serial link setting (continued)



## ACT 1000T electrical connections

Connect the **controller to the pump** using the cable (separately ordered).

Connect the fan (ATP air cooled).

Connect the **RS232** serial link cable to the connector

(cable supplied by customer).

If the unit is remote controlled, make the various connections on the **REMOTE CONTROL** terminal block (see **B 90**).

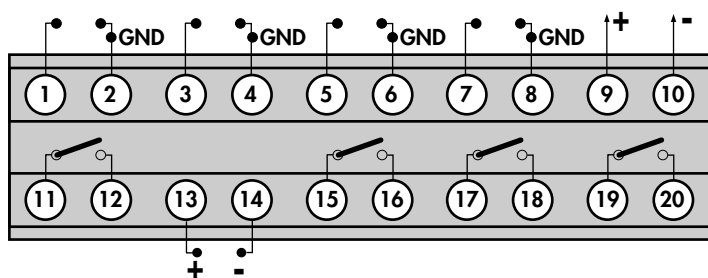
Connect the **controller to the mains** using the cable supplied. (Mains with earth connection)

Connect the **venting valve** accessory (see **B 90**)

## ACT 1000 T "Remote Control" connector wiring



When the units containing the control circuits are equipped with dry contact outputs, it is the customer's responsibility to use the outputs in compliance with safety regulations.



### The control contacts

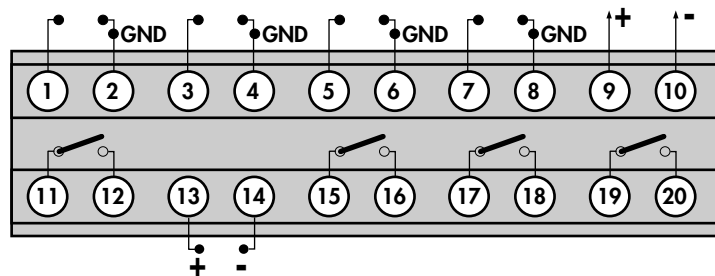
Ext. safety <b>1 - 2</b>	When the contact is closed, an external safety device is signalled: the motor is stopped and the controller generates a fault. This contact must be opened for the pump to operate.
Start/Stop <b>3 - 4</b>	When the contact is closed, the pump is started up and accelerates to reach its nominal or reduced speed (depending on parameter settings). If the contact is open, the pump is no longer powered.
REMOTE mode <b>5 - 6</b>	When the contact is closed, the remote control mode is selected. If the contact is open, the local mode is selected (control using the front panel keypad).
STANDBY mode <b>7 - 8</b>	When the contact is closed, the reduced speed rotation mode is selected.
Analog output <b>9 - 10</b>	Used to monitor the selected parameter (see ANALOG OUT menus).

### 0 -10 V analog output:

## ACT 1000 T "Remote Control" connector wiring

### Signaling using output contacts

These are dry contacts: (250VAC-1A) their function is to copy the data concerning the pump operating status.



Shut-off valve <b>11 - 12</b>	The contact is opened when a functional fault appears or when the "STOP" control is activated. In the latter case, the pump is reset to atmospheric pressure.  The contact can be used to control a secondary shut-off valve in order to retain the pressure in the chamber when the pump is reset to atmospheric pressure.
Air inlet valve <b>13 - 14</b>	Venting valve control and power supply (12V).
Speed <b>15 - 16</b>	The contact is closed when the pump reaches the selected speed.
Fault <b>17 - 18</b>	The contact is open if a fault appears and the motor is stopped.
Start <b>19 - 20</b>	The contact is closed when the "START" control is activated. The contact can be used to control a primary shut-off valve.

## ACT 1000 T controller start-up

Once the various electrical connections have been made, set the main switch on the rear panel to "I".

The controller performs a self-test and identifies the pump to which it is connected.

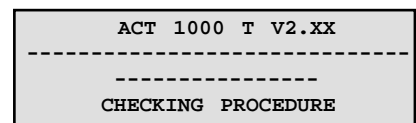
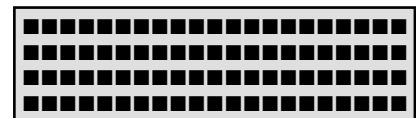
The initialization time is approximately 4 seconds.

### Display initialization


The equipment is identified, the program version is displayed.

Indicator light test: they are lit in succession.


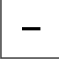
The working screen is displayed.





### The parameter setting keys

Parameter setting access 

- used to access the parameter setting mode.
- used to exit the various menus without validating the functions.

Selection   


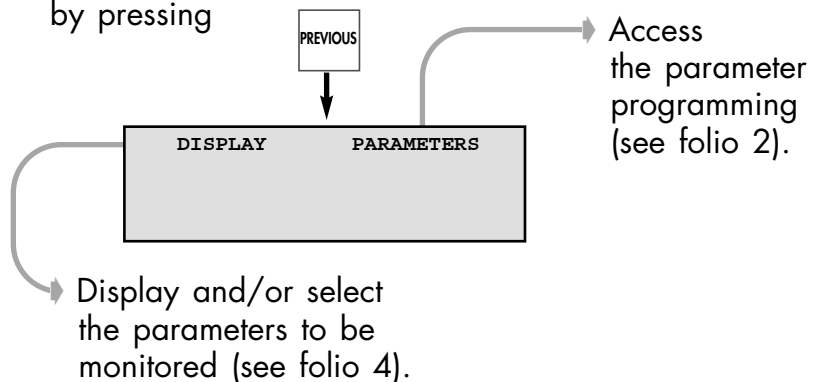
- used to move in the menus, or from one parameter to another.
- used to select or adjust the value of the selected parameter.

Validation   


- used to validate the selection of a menu, parameter or value.
- used to exit the menus and return to the pump parameter display

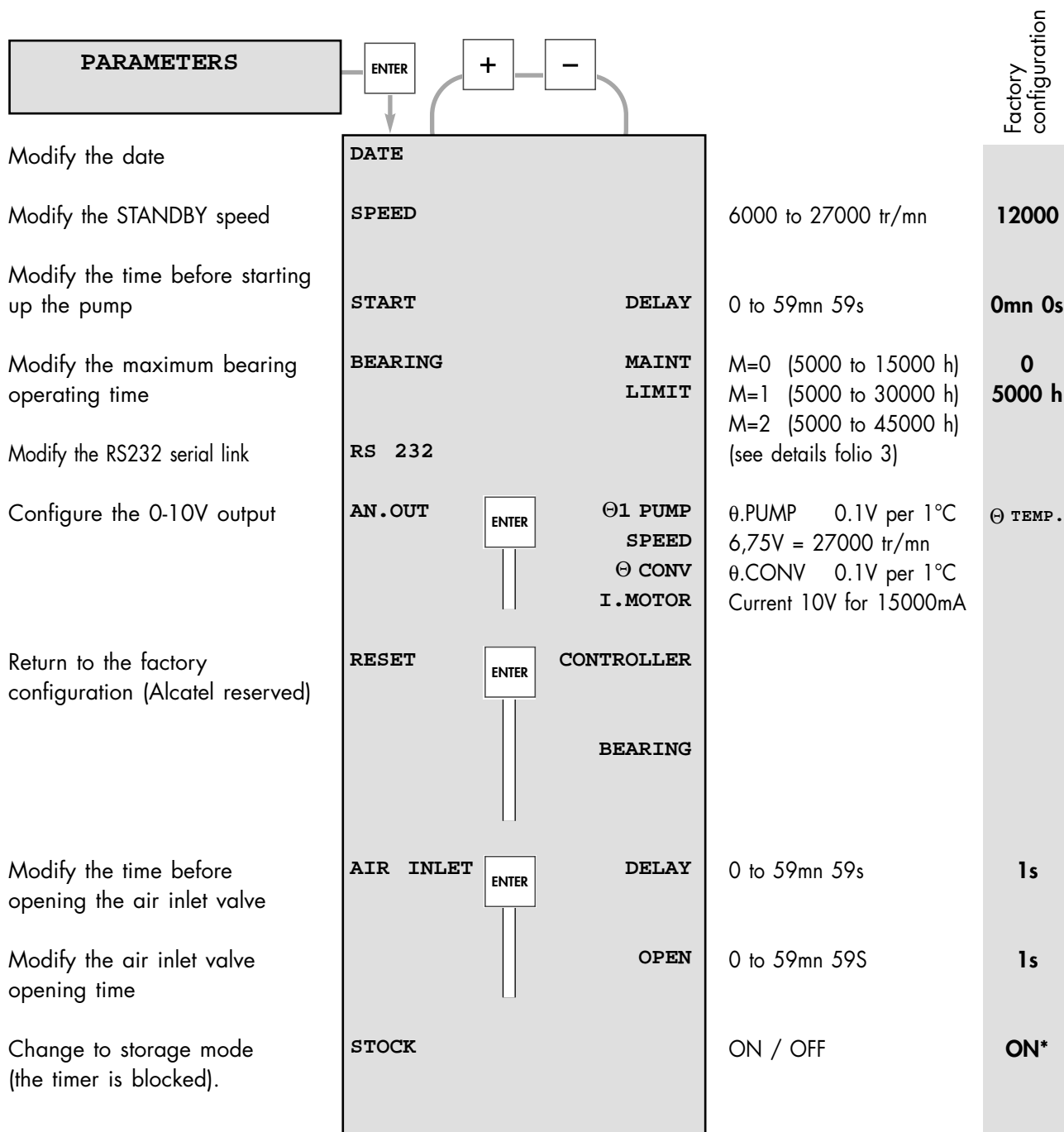
### Configure the parameters for the application using the various menus.

Enter the sub-menus by pressing



## ACT 1000 T controller start-up

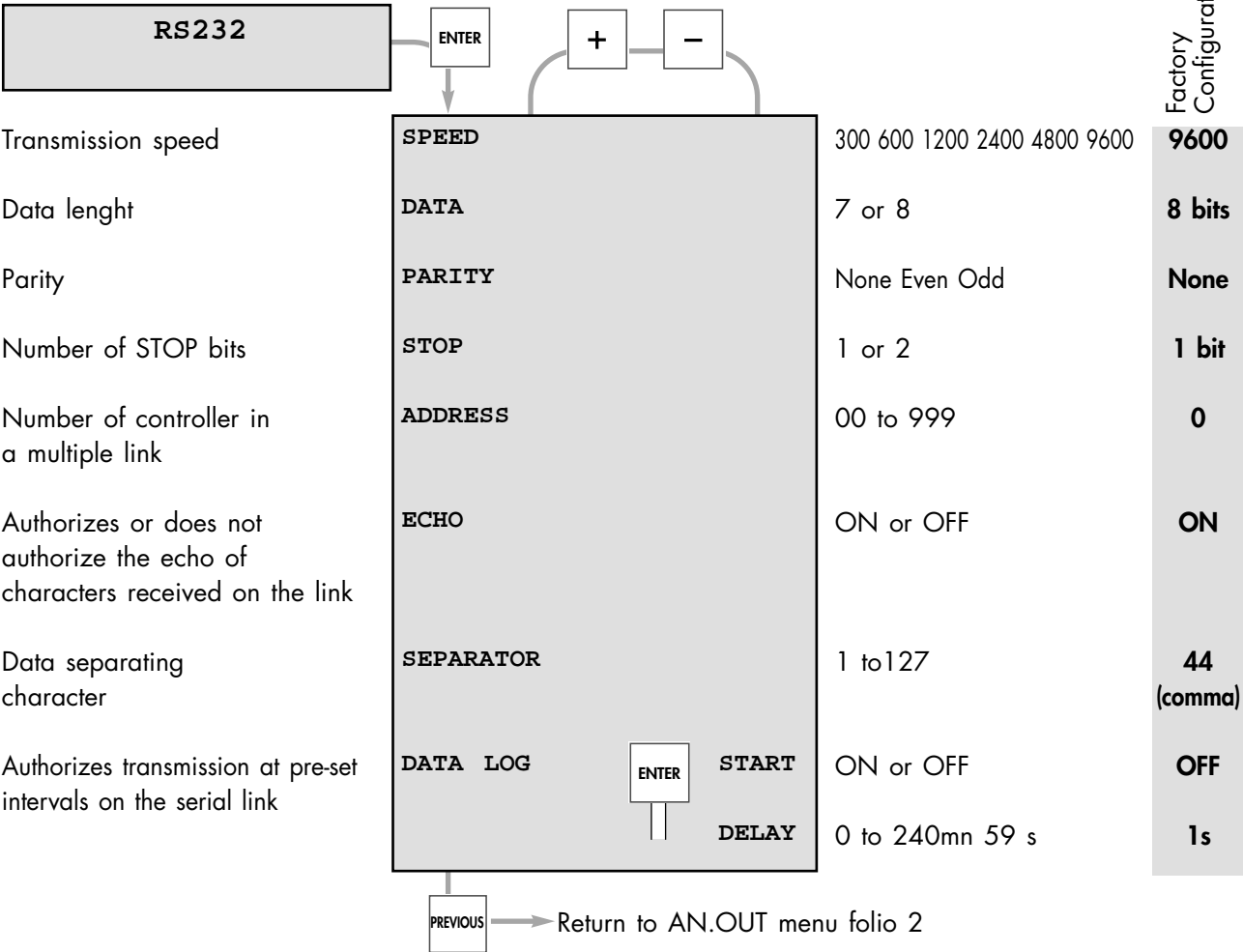
### Programming the parameters



\* At power-up, the storage mode disappears automatically.

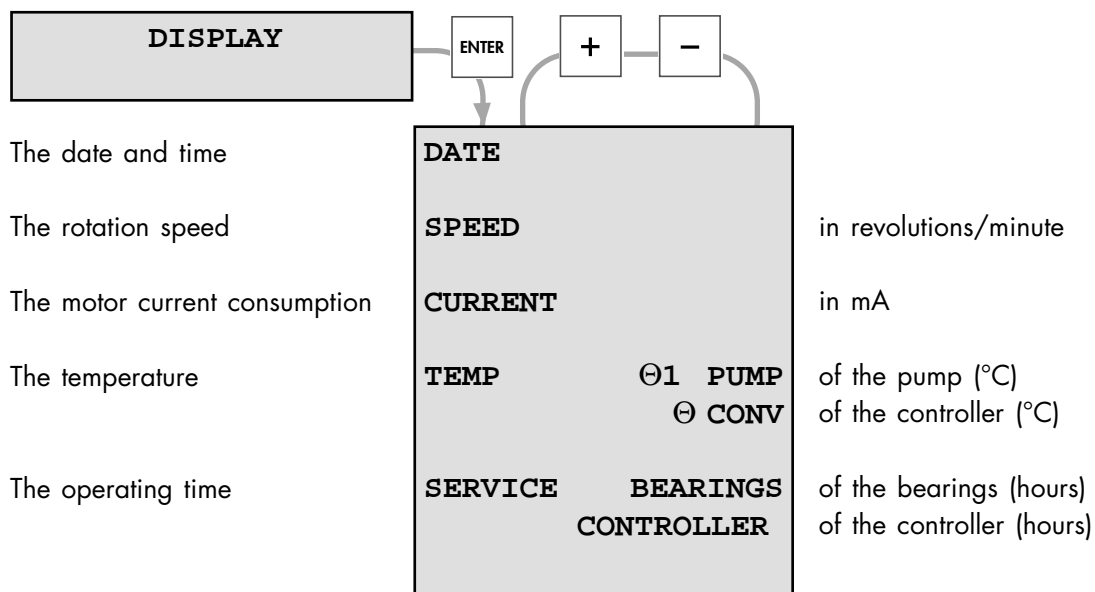
# ACT 1000 T controller start-up

## Serial link setting



## ACT 1000 T controller start-up

### Configuring the display screen





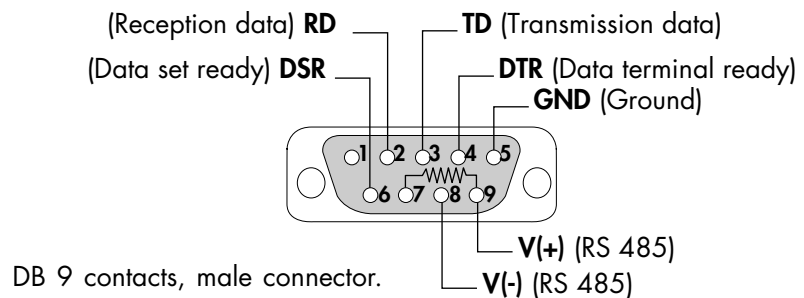
## RS 232 or RS 485 serial link wiring

At the first power-up, the user finds the default configuration. The serial link parameters can be modified by accessing the corresponding unit menu.

The default configuration of the serial link is as follows:

- Type: **RS 232**
- Transmission speed: **9600 baud**
- Data length: **8 bits**
- Parity: **NONE**
- Stop bit: **1**

### RS232/485 connector wiring



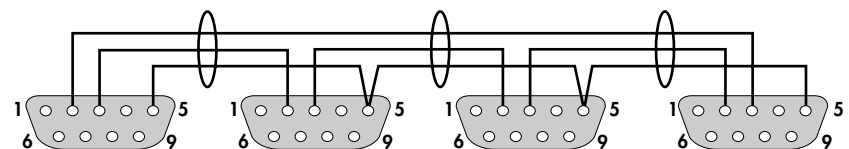
### Connection examples:

#### RS232 type serial link with a single controller

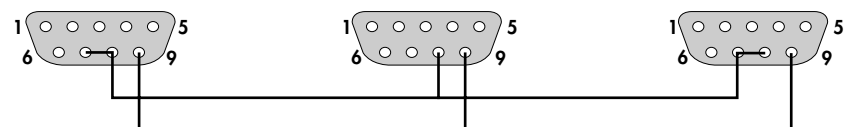


#### Multiple RS232 serial link: several units (up to 255) can be controlled on a single link.

The multiple link is obtained by creating a loop:



#### RS485 serial link connection:



Connect terminals 7 and 8 when the controller is at the end of the line.

See **B 120** for the command and message reception syntax.

## Detailed description of RS commands

(valid from V1.10 version variable drives)

### Conventions applicable to the syntax of all commands:

**adr** = address, from 000 to 255  
**<CR>** Carriage Return (ascii 13)  
**<LF>** Line Feed (ascii 10); between square brackets: this character is not compulsory.

**Status values** **ok** : command executed correctly

**Error messages** **Err0** : adjustment error (out of bounds)  
**Err1** : command error (syntax)  
**Err2** : parameter error (e.g. non-hexadecimal character)  
**Err3** : context error  
**Err4** : checksum error

---

### **ADR** Specifies the address of the device for networking.

---

**Syntax** #adr**ADR**aaa<CR>[<LF>]  
 adr = address of the device before the command  
 aaa = new address of the device  
 condition :  $000 \leq aaa \leq 255$

**Result** #aaa,ok or Err2

This command is used to allocate a specific number to each of the products making up a network (loop for RS 232 or parallel for RS 485).

Note : it is important to note down the number allocated to each device.

---

### **BRK** Stop the pump by braking (ATP 80/100 series only)

---

**Syntax** #adr**BRK**<CR>[<LF>]

**Result** #adr,ok

This command is used to brake the motor electrically, which is particularly effective at high speed. It is currently only available for the variable drive unit of the ACT 200T Board or ACT 200T cabinet.

## Detailed description of RS commands

---

### CKS Enables or disables reply strings checksum

---

**Syntax** #adr**CKSON**<CR>[<LF>]  
Enables ascii character checksum at the end of a reply string

or

#adr**CKSOFF**<CR>[<LF>]  
Disables ascii character checksum at the end of a reply string

**Result** #adr,ok,**S** for CKSON  
#adr,ok for CKSOFF

This feature allows the user to test if there is any transmit error with a reply string.

**S** is a character whose ascii value is the checksum, on 7 bits, of all the character ascii values from the beginning of the reply string to the character before **S**. The 8th bit of **S** (MSB, Most Significant Bit) is always 1.

---

### CYC Starts the specified running-in cycle

---

**Syntax** #adr**CYC1**<CR>[<LF>] to start running-in program 1,  
or  
#adr**CYC2**<CR>[<LF>] to start running-in program 2

**Result** #adr,ok

Running-in program 1 should be executed after a pump maintenance operation (change of bearings).

At the end of the program, the pump maintenance parameters are updated and the «maintenance requested» alert can be cleared.

Program 2 is used after regreasing (ATP series only), or after prolonged storage (ATH 20/40 only).

## Detailed description of RS commands

---

### **DLI** Defines the DataLogger transmission interval

---

**Syntax** #adr**DLI**xxx<CR>[<LF>]  
 xxx: DataLogger send interval in seconds  
 condition:  $001 \leq xxx \leq 255$

**Result** #adr,ok or Err2

See also: **DLR** Note: if ok, the interval sent is stored in user memory.

---

### **DLR** Enables DataLogger operation (only with RS232)

---

**Syntax** #adr**DLR**<CR>[<LF>]

**Result** #adr,sssss,nnnnn,iiii,tttt,uuuu.o,www,ppp,vvv

Returns current values:

**sssss** : current speed (in tr/mn)  
**nnnnn** : speed set point (in tr/mn)  
**iiii** : current (in mA)  
**tttt** : pump working speed (in hours)  
**uuuu.o** : (reserved)  
**www** : pwm (reserved)  
**ppp** : pump temperature (°C)  
**vvv** : variator temperature (°C)

The main characteristics of the pump and its controller are sent over the RS link, at the rate defined by the **DLI** command.

See also: **DLI, LNG, SEP, SHT** Note: any new characters arriving on the serial port (RS 232) will cancel the automatic DataLogger transmission.

## Detailed description of RS commands

---

### ECH Enables or disables command echoing

---

**Syntax** #adr**ECHON**<CR>[<LF>]  
enables all characters received to be echoed over the serial port (RS 232 only).  
or  
#adr**ECHOFF**<CR>[<LF>]  
disables all characters received from being echoed over the serial port.

**Result** #adr,ok

Comments:

- This command is disabled in RS 485 operation, the value OFF is required.
- Using a loop-type RS 232 network requires «ECHON» operation.

---

### HDR Defines the start character for a command reply string

---

**Syntax** #adr**HDR**nnn<CR>[<LF>]  
nnn: 3-digit decimal value of the ascii code of the corresponding character (with leading zeros).  
condition :  $020 \leq nnn \leq 255$

**Result** ?adr,ok                   ? is the desired character.  
#adr,ErrX                   if error

Allows the user to distinguish between the first character in a «command» string (for which # cannot be changed) and the first character of a «reply» string.

Affects the first character of ALL replies.

Default value: the hash sign, # (ascii code = 035)

If ok, the selected value is automatically stored in user memory.

---

### IDN Identifies the device which is communicating, and its software version

---

**Syntax** #adr**IDN**<CR>[<LF>]

**Result** #adr, VS.... - Vx.zz'  
or  
#adr, VS.... - Vx.zz for Alcatel pump type»

Returns the type of Variable drive Supervisor, the software version (x), the software edition (zz), and the type of pump for which this variable drive is set up.

## Detailed description of RS commands

---

### LEV Returns the state of the parameters defined by SET

---

**Syntax** #adrLEV<CR>[<LF>]

**Result** #adr,nnnnn,sssss,aaaa,hhhhh or  
#adr,nnnnn rpm,sssss rpm,aaaa mA,hhhhh hours

Returns the current values:

**nnnnn** : speed set point  
**sssss** : stand-by speed set point  
**aaaa** : current set point  
**hhhhh** : alert level for pump bearing maintenance

#### Complete cabinet only:

**Syntax** #adrLEV10<CR>[<LF>]

**Result** #adr,nnnnn,sssss,hhhhh,g,cccc,eeee,dddd,pppp,qqqq

Returns current values:

**nnnnn** : nominal speed set point (in rpm)  
**sssss** : stand-by speed set point (in rpm)  
**hhhhh** : alert level for pump bearing maintenance (in hours)  
**g** : regreasing counter  
**cccc** : pump working time (in hours)  
**eeee** : electronic working time (in hours)  
**dddd** : start delay (max 14459 s, that is 240 mn 59 s)  
**pppp** : time to venting (max 3599 s, that is 59 mn 59 s)  
**qqqq** : venting time (max 3599 s, that is 59 mn 59 s)

See also: **LNG**, **SEP**, **SHT**

---

### LNG Returns the strings sent with the identification sub-strings

---

**Syntax** #adrLNG<CR>[<LF>]

**Result** #adr,ok  
CIT>

Allows the parameters returned by the DLR, LEV and SPD commands to be identified with sub-strings.

Also generates the «CIT>» prompt each time a <CR> character is received.

See also: **SHT**

## Detailed description of RS commands

---

**NSP** Swithes the speed set point to the nominal speed value

---

**Syntax** #adr**NSP**<CR>[<LF>]

**Result** #adr,ok

The speed set point for the pump is set to its nominal value.  
This configuration is automatically saved in user memory.

See also: **RPM**, **SBY** This mode of operation prevents the use of the «**RPM**» command.

---

**OPT** Used to select possible user choices

---

**Syntax** #adr**OPT1** n<CR>[<LF>]  
choice of parameters on the analog output:  
n = 0 : real pump speed  
n = 1 : pump current  
n = 2 : temperature of pump body  
n = 3 : temperature of internal electronics

#adr**OPT2** n<CR>[<LF>]  
choice of temperature unit:  
n = 0 : degrees Centigrade  
n = 1 : degrees Fahrenheit

**Complete cabinet only:**

#adr**OPT10** n<CR>[<LF>]

auto-starting:  
n = 0 : yes  
n = 1 : no

#adr**OPT11** n<CR>[<LF>]

buzzer: n = 0 : without  
n = 1 : with

**Result** #adr,ok

See also: **SEL** Comment: The choice of the temperature unit affects the results of the DLR and STA strings and the display (if cabinet fitted).

## Detailed description of RS commands

---

### **RPM** Defines the speed set point in stand-by mode

**Syntax** #adr**RPM** nnnnn<CR>[<LF>] or #adr**RPM**nnnnn<CR>[<LF>]

**Result** #adr,ok or #adr,ErrX  
1, out of range; 2, parameters ; 3, context (not in Stand-by mode)

See also: **NSP, SBY** Comment: if ok, the new speed is automatically stored in user memory.

---

### **SAV** Saves the internal parameters in user's memory

**Syntax** #adr**SAV**<CR>[<LF>]

**Result** #adr,ok

Saves the current context (except for running-in cycles).  
If this command is sent when the pump is being supplied,  
it can for example allow automatic re-start in the event of  
a power cut.

---

### **SBY** Switches the speed set point to the stand-by value

**Syntax** #adr**SBY**<CR>[<LF>]

**Result** #adr,ok

Resets the stand-by speed to its last stored value, and allows  
it to be modified if an «RPM» command is sent.  
See also: **NSP, RPM** This configuration is automatically stored in user memory.



## Detailed description of RS commands

---

### **SEL** Returns the state of the parameters defined by OPT

---

**Syntax** #adr**SEL**<CR>[<LF>]

**Result** #adr,a,u

a : Returns choice of parameters on the analog output:

a = 0 : real pump speed

a = 1 : pump current

a = 2 : temperature of pump body

a = 3 : temperature of internal electronics

u : Returns the choice of temperature unit:

u = 0 : degrees Centigrade      u = 1 : degrees Fahrenheit

#### **Complete cabinet only**

**Syntax** #adr**SEL10**<CR>[<LF>]

**Result** #adr,a,u,s,b

a : Returns choice of parameters on the analog output:

a = 0 : real pump speed

a = 1 : pump current

a = 2 : temperature of pump body

a = 3 : temperature of internal electronics

u : Returns the choice of temperature unit:

u = 0 : degrees Centigrade      u = 1 : degrees Fahrenheit

s : Returns auto-starting choice:

s = 0 : no                      s = 1 : yes

b : Returns buzzer choice:

b = 0 : without      b = 1 : with

---

### **SEP** Defines the character which separates the parameters in a reply

---

**Syntax** #adr**SEP**nnn<CR>[<LF>]  
 nnn: 3-digit decimal value of the ascii code of the desired character (with leading zeros).  
 condition :  $000 \leq nnn \leq 255$

**Result** #adr,ok or #adr,ErrX if error

Allows the user to select the character which separates the parameters returned by the **DLR**, **STA** and **LEV**

commands. Default value: comma «,» ascii code = 044

If ok, the selected value is automatically stored in user memory.

## Detailed description of RS commands

---

### SET Defines the internal operating parameters

---

**Syntax** #adr**SET1** hhhhh<CR>[<LF>] maintenance time  
 #adr**SET2** sssss<CR>[<LF>] maximum time for start-up  
 (future)

**Complete cabinet only:**

#adr**SET10** ccccc<CR>[<LF>] : pump working time  
 (in hours)  
 #adr**SET11** eeeee<CR>[<LF>] : electronic working time  
 (in hours)  
 #adr**SET12** g<CR>[<LF>] : regreasing counter  
 (0 to 2 max)  
 #adr**SET13** ddddd<CR>[<LF>] : start delay (max 14459s,  
 that is 240mn 59s)  
 #adr**SET14** pppp<CR>[<LF>] : time to venting (max 3599s,  
 that is 59mn 59s)  
 #adr**SET15** qqqq<CR>[<LF>] : venting time (max 3599s,  
 that is 59mn 59s)

**Result** #adr,ok or #adr,ErrX  
 See also: **LEV**

---

### SHT Returns the transmitted string without the identification sub-string

---

**Syntax** #adr**SHT**<CR>[<LF>]

**Result** #adr,ok

The strings sent following **DLR**, **LEV** and **SPD** commands will now be sent without the parameter identification sub-strings (e.g; without the units).  
 See also: **LNG**

---

### SPD Returns the current speed

---

**Syntax** #adr**SPD**<CR>[<LF>]

**Result** #adr,nnnnn  
 See also: **LNG**, **SHT** #adr,nnnnn rpm

## Detailed description of RS commands

---

### STA Returns the status of the internal dynamic parameters

---

**Syntax** #adr**STA**<CR>[<LF>]

**Result** #adr,xxxxxx,yyyyyy,zzzzzz,sssss,iiii,www,ppp,vvv,tttt<CR><LF>

adr: address

543210

xxxxxx status bits:

- 5 - RS echo (1->off)
- 4 - String long (0) / short (1)
- 3 - On (1) / Off (0)
- 2 - reduced or nominal speed reached(1)
- 1 - standby (1)
- 0 - running-in (1)

yyyyyy fault bits:

- 5 - variable drive temperature
- 4 - motor temperature
- 3 - excess current
- 2 - sensors or start-up
- 1 - external
- 0 - pump not connected

zzzzzz alert bits:

- 5 - reserved (future use)
- 4 - reserved (future use)
- 3 - variable drive temperature
- 2 - motor temperature
- 1 - start-up time exceeded (future)
- 0 - operating time exceeded

sssss current speed value in rpm

iiii current value in mA

www reserved (pwm value)

ppp pump temperature value

vvv variable drive temperature

tttt pump operating time value



Reminder : The «#» character at the start of the reply string can be set with the «HDR» command. The «,» character which separates the parameters in the reply string can be modified with the «SEP» command.

---

### TMP Defines the operating state of the turbomolecular pump

---

**Syntax** #adr**TMPON**<CR>[<LF>]      start pump rotation  
#adr**TMPOFF**<CR>[<LF>]      stop pump

**Result** #adr,ok or #adr,Err3 if the pump is already in the state requested (context error)

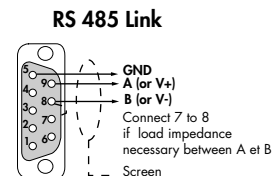
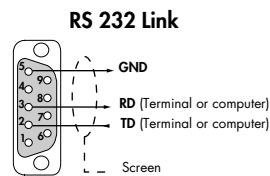
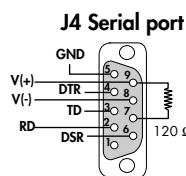
## Functions of integrable controllers Brick and Board type

### Warning



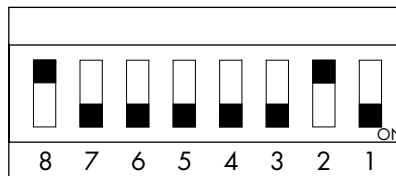
Electronic boards have been designed to comply with the electrical safety and electromagnetic compatibility rules but they cannot be the purpose of a certification as soon as they are sold alone. It is the user responsibility to ensure the externals shields which are necessary to be in compliance with ECM and electrical safety rules

### Serial link RS 232/485



### Setting

Using the switch S3 :



Factory configuration :  
9600 Bauds, WITHOUT  
Parity, 8 bits, 1 Stop bit,  
RS232.

	Switch	ON	OFF
Number of STOP bits	1	1 bit	2 bits
Data length	2	7 bits	8 bits
Parity (Valid if switch 4 is off)	3	ODD	EVEN
	4	SANS	AVEC
Type of link	8	RS 485	RS 232

	Switch	Switch	
		5	6
Transmission speed	9600	ON	ON
	4800	OFF	ON
	2400	ON	OFF
	1200	OFF	OFF

### Operation

Refer to the Commands details sheet (**B 120**).

### Rotation speed setting



The potentiometer R15 (See folio 4) has to be set to a position such as not to exceed the 1/5 of its full excursion to allow the speed programming from the serial link.

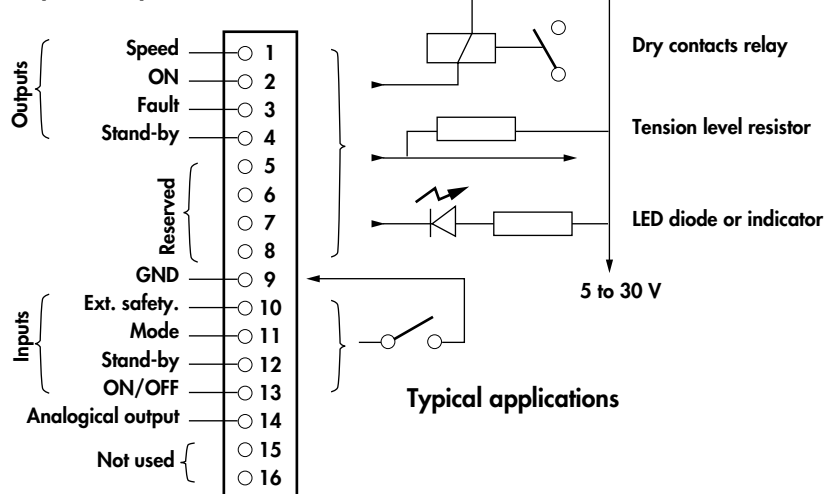
## Functions of integrable controllers Brick and Board type

### Inputs/Outputs connector

This remote control allows to command START, STOP, STANDBY at distance, and the copy of the monitoring parameters .

The connection is done on a female connector 3M He 10 P.N. 34-52-6000 (Not supplied).

Inputs/Outputs connector J5



### Output contacts signalisation :

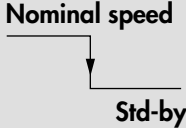
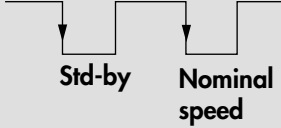
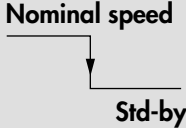
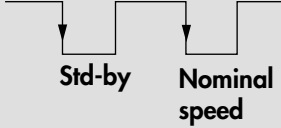
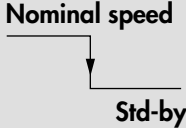
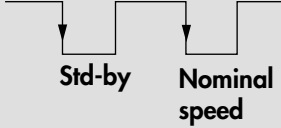
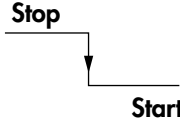
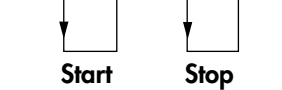
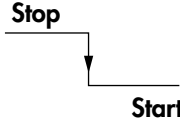
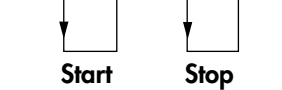
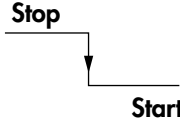
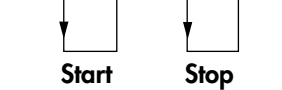
They are open collector type outputs ( $I_{max}$  100mA;  $V_{max}$  30V) whose function is to copy the information related to the pump status.

The light indicator is on when the corresponding output is valid (low level).

Light	Contact	Description	Light indicator status
Green	Speed 1	Nominal speed has been reached by the pump.	<b>Flashing</b> : The speed is higher than the one selected. <b>Lit</b> : The selected speed is reached.
Yellow	Start 2	The pump is starting up.	<b>Lit</b> : The speed is lower than the one selected.
Red	Fault 3	A fault occurs.	<b>Lit</b> : Faulty pump. (See folio 4) <b>Flashing</b> : Alert is signalled.
Yellow	Stand-by 4	Standby mode is selected.	<b>Lit</b> : Standby mode is selected.

## Functions of integrable controllers Brick and Board type

**Command inputs** The input is regarded as valid when the external contact which is connected is closed (Low level: ground connected) and not valid if the contact is open (High level).

	Contact	Input status				
<b>External safety</b>	<b>10</b>	<p><b>High:</b> There is an external safety. The LED Fault is lit on, the pump doesn't start.</p> <p><b>Low:</b> Contact connected to ground, necessary for pump's starting.</p>				
<b>Mode</b>	<b>11</b>	<p><b>High:</b> "Status" mode selected.</p> <p><b>Low:</b> "Impulse" mode selected.</p> <p>This mode is valid for the two following commands .</p>				
<b>Stand-by</b>	<b>12</b>	<table border="0"> <tr> <td style="vertical-align: top;"> <p>"Status" mode:</p> <p><b>High:</b> Nominal rotation speed mode .</p> <p><b>Low:</b> Reduced rotation speed mode selected. (stand-by)</p> </td> <td style="vertical-align: top;"> <p>"Impulse" mode:</p> <p>A temporary closing of the contact allows to alternate the reduced and nominal speeds.</p> </td> </tr> <tr> <td style="text-align: center;">  </td> <td style="text-align: center;">  </td> </tr> </table>	<p>"Status" mode:</p> <p><b>High:</b> Nominal rotation speed mode .</p> <p><b>Low:</b> Reduced rotation speed mode selected. (stand-by)</p>	<p>"Impulse" mode:</p> <p>A temporary closing of the contact allows to alternate the reduced and nominal speeds.</p>		
<p>"Status" mode:</p> <p><b>High:</b> Nominal rotation speed mode .</p> <p><b>Low:</b> Reduced rotation speed mode selected. (stand-by)</p>	<p>"Impulse" mode:</p> <p>A temporary closing of the contact allows to alternate the reduced and nominal speeds.</p>					
						
<b>Start/Stop</b>	<b>13</b>	<table border="0"> <tr> <td style="vertical-align: top;"> <p>"Status" mode:</p> <p><b>High:</b> The pump is no longer powered.</p> <p><b>Low:</b> The pump starts and accelerates.</p> </td> <td style="vertical-align: top;"> <p>"Impulse" mode:</p> <p>A temporary closing of the contact allows to alternate between Start and Stop of the pump.</p> </td> </tr> <tr> <td style="text-align: center;">  </td> <td style="text-align: center;">  </td> </tr> </table>	<p>"Status" mode:</p> <p><b>High:</b> The pump is no longer powered.</p> <p><b>Low:</b> The pump starts and accelerates.</p>	<p>"Impulse" mode:</p> <p>A temporary closing of the contact allows to alternate between Start and Stop of the pump.</p>		
<p>"Status" mode:</p> <p><b>High:</b> The pump is no longer powered.</p> <p><b>Low:</b> The pump starts and accelerates.</p>	<p>"Impulse" mode:</p> <p>A temporary closing of the contact allows to alternate between Start and Stop of the pump.</p>					
						

### One analog output

**Analog output** **14** This output allows to monitor the evolution of some pump parameters (Speed, température...).

The output parameter selection is done through the RS 232 (*See B120*). The speed, the current, the temperatures are available on this output ( Factory configuration «Speed»).

## Functions of integrable controllers Brick and Board type

### Rotation speed setting

The potentiometer R 15 allows to set the rotation speed as long as its position is further than 1/5 of the full excursion.

From the maximum position (Fully clockwise screwed), the speed is defined:

- by the orders coming from serial link during the 4 first turns (counterclockwise unscrewing) ;
- manually within the limits of stand-by speed range (See characteristics table), this after the 5<sup>th</sup> turn (Speed increases when unscrewing).



**Factory configuration: R15 is set for a serial link configuration with a Standby speed of 12000 RPM.**

### Faults monitoring

The alerts are indicated by:

- The flashing of the red light indicator ;
- The alternation of HIGH and LOW levels of the output «FAULT».

The faults are indicated by:

- The lighting of the red light indicator ;
- The switching to the Low level of output «FAULT».

They can be identified using the serial link (**See B120**, command STA).

**Note: Alcatel can provide upon request, a communication software which allows pump control and monitoring using a micro-computer (see C 61).**

Refer to Diagnosis and Troubleshooting of the manual.

## Functions of integrable controller OEM Board type

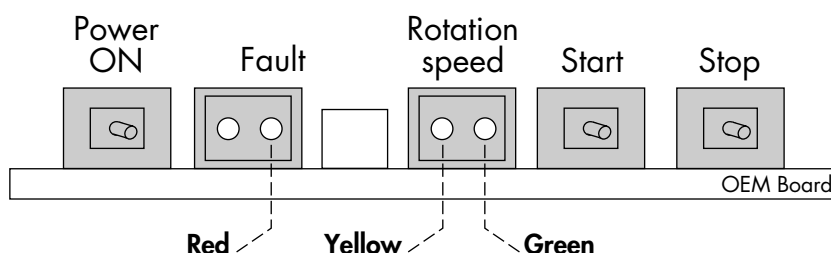
### Warning



Electronic boards have been designed to comply with the electrical safety and electromagnetic compatibility rules but they cannot be the purpose of a certification as soon as they are sold alone. It is the user responsibility to ensure the externals shields which are necessary to be in compliance with ECM and electrical safety rules.

### Local mode operation

Power "ON" and pump "Start/Stop" functions are made using switches located on the PC Board.



The detection of the pump operation is materialized by three indicator lights (green, yellow, red) which indicate the pump status (light ON = 1; Light OFF = 0).

### Detection of rotation

	Action on button		Pump motor powered	Pump rotation speed*	Pilot lights		
	START	STOP			Yellow	Green	Red
1 Before starting	0	0	NO	0	○	○	○
2 Starting	1	0	YES	< 27000	☀	○	○
3 Pump at nominal speed	0	0	YES	= 27000	○	☀	○
4 Incident** Overheating due to pump or converter	0	0	NO	↘ 0	☀	○	☀
5 Overloading	0	0	YES	< 27000	☀	○	○
6 Pumping stop	0	1	NO	↘ 0	○	○	○

\* Pump rotation speed in rpm.

\*\* During the pump or converter cooling, the cycles 2,3 (or 5) will be happened again periodically until the user remedies the overheating.

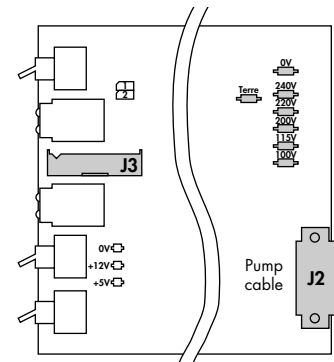


## Functions of integrable controller OEM Board type

### Remote control mode

Depending on P2 power supply cable connector wiring, the pump Start/Stop and an external safety can be remote controlled.

J3 connector allows the copy of the pump status data (equivalent to light indicators green-red-yellow) (*voir folio 1*).



	Description	P2 connector wiring*
Without remote control outer safeties	Standard wiring. <b>A4-A5</b> : output by contact ON/OFF	
Pump Start/Stop remote control (by impulse contacts)	Buttons command. The buttons of the front of panel are operational.	
Pump Start/Stop remote control (by maintained contact)	Interrupter command. Closed contact: pump starts Opened contact: pump stops	
Outer safety switch wiring	Opened contact: pump stops No indication by the red LED.	
Outer control	<b>A4-A5</b> terminals allows to switch 250 V - 1 A max.	

\* P2 soldering side view;  
B2 and A1 in black are female pins, others are male pins.

---

## Functions of integrable controller OEM Board type

- Fault monitoring** The faults are indicated by red light indicator which signals:
- controller temperature increasing;
  - pump temperature increasing;
  - incorrect connection between pump and PC Board.

When it is "ON", the motor is not supplied and the pump doesn't run.

### Operation

■ First pump start-up / Safety instructions . . . . .	■ <b>C 10</b>
■ Turbomolecular pump operation in a pumping application . . . . .	■ <b>C 20</b>
■ Controlling the pump using the controller front panel . . . . .	■ <b>C 30</b>
■ Displaying the data concerning ACT 200 T and 600 T pumping . . . . .	■ <b>C 40</b>
■ ACT 200 T and 600 T «Remote Control» connector «Ext. safety» input operation . . . . .	■ <b>C 50</b>
■ Controlling the pump using communication software . . . . .	■ <b>C 61</b>

## First pump start-up

### Safety instructions

#### First pump start-up

When the pump is new, or after a prolonged shut-down of 3 months or more (under normal storage conditions), Alcatel recommend operating the pump at atmospheric pressure for 10 minutes (inlet and exhaust open to atmosphere) in order to ensure a slow rotation and grease re-distribution in the pump ball-bearings. For this operation, inlet and pump exhaust are open to atmosphere.



The access to the rotor of a turbomolecular pump with an unconnected inlet is dangerous.

#### Safety instruction for use



The pumps are designed so as not to present a thermal risk for the user's safety. However, specific operating conditions can generate temperatures which require particular care to be taken by the user (external surfaces > 70°C).

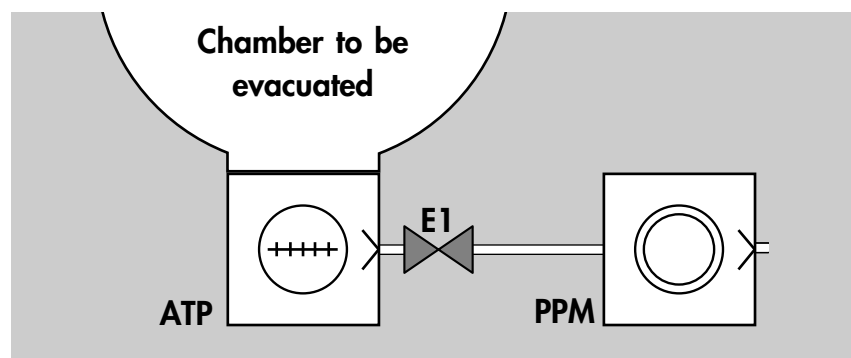


Avoid moving or causing a shock on a pump in operation.  
There is a risk of seizing if the pump rotates in an axis perpendicular to its axis of rotation.

## Turbomolecular pump operation in a pumping application

When the pump is new, or after a prolonged shut-down of 3 months or more (under normal storage conditions), Alcatel recommend operating the pump at atmospheric pressure for 10 minutes (inlet and exhaust open to atmosphere) in order to ensure a slow rotation and grease re-distribution in the pump ball-bearings.

### Example of a 1 valve assembly



**The chamber and pipes are at atmospheric pressure, the pumps are switched off, the valves are closed**

Start-up:

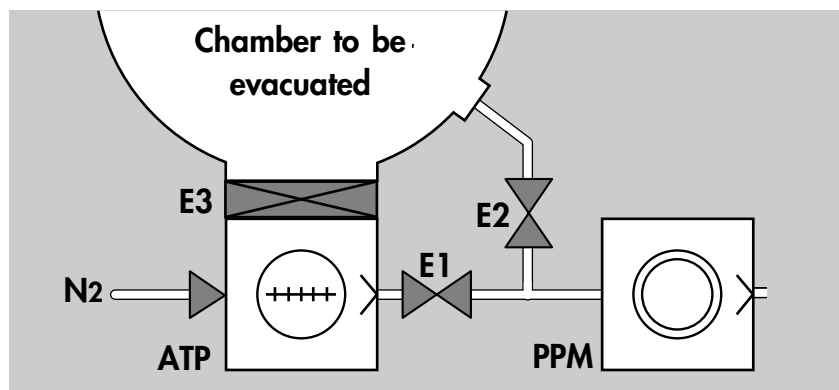
- start up ATP water cooling system;
- open the E1 valve;
- start up the primary pump (PPM);
- start up the ATP, when the pressure in the chamber is  $\leq 1$  mbar.

Stop:

- close E1;
- stop the primary pump;
- stop the ATP;
- stop the cooling system.

## Turbomolecular pump operation in a pumping application

### Example of a 3 valve assembly



\* N2 purge only for "C" and "HPC" models

**The chamber and pipes are at atmospheric pressure, the pumps are switched off, the valves are closed**

Pre-evacuation of the chamber:

- start up the PPM (primary pump);
- start up the ATP water cooling system;
- open the E2 valve.

The pressure in the chamber  $\leq$  1mbar, the secondary pumping can be started up:

- close E2;
- open E1 and E3;
- start up the nitrogen purge\*;
- start up the ATP.

**The chamber is at atmospheric pressure, the pumps are operating, the valves E2 and E3 are closed, the purge and water circuits are operating.**

Pre-evacuation of the chamber:

- close E1;
- open E2.

The pressure in the chamber is  $\leq$  1mbar:

- close E2;
- open E1;
- open E3.

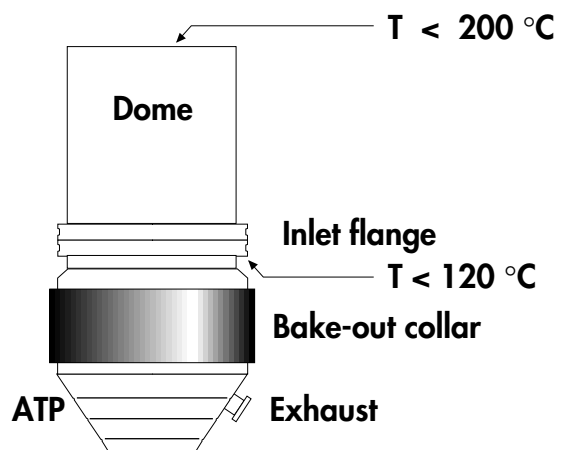
## Turbomolecular pump operation in a pumping application

**Refill the chamber with air** Shut off the pumps by closing the E3 valve (E1 remains open) and open an air inlet on the chamber.

**Stop pumping** The pumps are shut off by closing the valves.

- close the E3 valve;
- with the ATP and PPM rotating, allow the N<sub>2</sub> purge\* to flow approximately 1 hour after pumping corrosive gases\*;
- Stop the ATP;
- Close the E1 valve;
- Stop the PPM. The ATP will be refilled with air if the accessory is fitted and the relevant menus are programmed (see **B 70** or **B 100**);
- stop the water cooling circuit.

**Bake-out collar (accessory) operation:** To reach the vacuum limit quickly, the ATP can be baked. In this case, the temperature on the pump inlet flange must be monitored:  $T < 120^{\circ}\text{C}$ .



## Controlling the pump using the controller front panel

### Rotation indicator lights:

#### Orange lit

The pump rotation speed is **lower** than the selected speed.

#### Red lit

The pump is faulty. This fault is accompanied by an audible signal (if it is programmed).



#### Green flashing

The pump rotation speed is **higher** than the selected speed (decrease of the selected speed during operation).

#### Orange lit

Standby mode selected

#### Orange flashing

Running-in procedure activated

#### Green lit

The pump has reached the selected speed.

**Start-up the pump** by pressing



The pump is started up to reach the selected speed.



The orange rising speed indicator light comes on. When the pump reaches its selected speed, the orange indicator light goes off and the green indicator light comes on.

**Select the reduced speed rotation mode** by

pressing



The speed selection indicator light comes on. The pump



regulates its speed to reach the value of the programmed reduced speed (see **B 70** or **B 100**).

**Stop the pump** by pressing



The rotation speed monitoring indicator lights go off. The pump motor is no longer powered, the pump decelerates.



---

## **Controlling the pump using the controller front panel**

### **Air inlet valve accessory**

The valve is automatically controlled during a voluntary stoppage of the pump if a value other than zero has been programmed in the "Venting Time" menu. During the entry of air, the pump can be started up but the valve will be closed beforehand.

In the event of a power cut, the valve is opened immediately, without delay, even if it has been programmed at a value other than zero.

### **Delayed start-up**

It is possible to control the start-up of another pump before the start-up of the turbomolecular pump. Simply program a time other than zero in the "SET START DELAY" menu. When START is pressed, the backing pump is started up and the ATP is controlled after the delay.

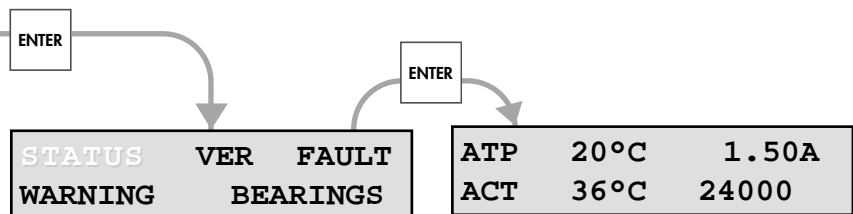
## Displaying the data concerning ACT 200 T and ACT 600 T pumping

### Displaying the data concerning the pumping

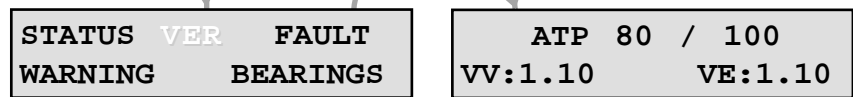


#### Pump and controller status

- pump temperature
- pump motor current
- controller temperature
- pump rotation speed



#### Display of the equipment and the program version



#### Successive display of last 10 faults

- number of hours of operation when the fault appeared
- record number (1 to 10)
- fault title



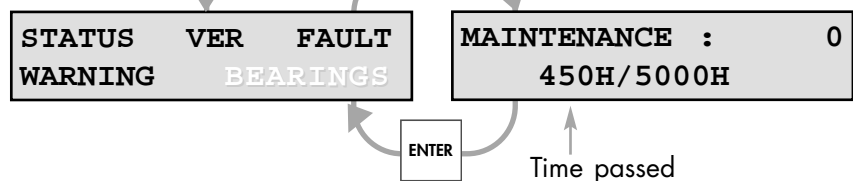
#### Successive display of last 10 alerts

- number of hours of operation when the alert appeared
- record number (1 to 10)
- alert title



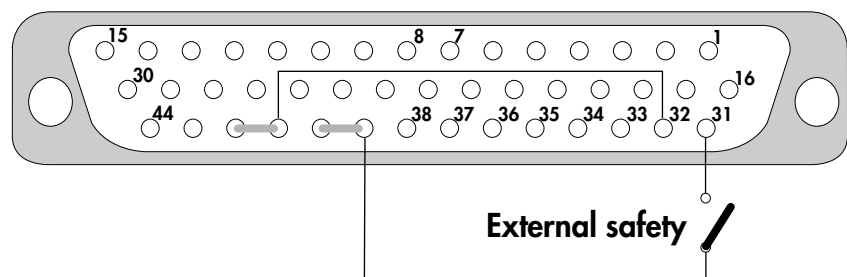
#### Bearing data

- operating time passed
- maximum number of hours authorized before regreasing or replacing the bearings



## ACT 200 T and ACT 600 T "Remote Control" connector "Ext. safety" input operation

This input, which can be used to control an external contact safety device for the ACT controllers, is controlled in 2 different ways depending on the value given to the **SET START DELAY** parameter accessible in the configuration menus.



If **SET START DELAY = 0** The external safety input is controlled continuously. If the "external safety" contact is open, it displays the fault "**EXTERNAL SAFETY**", lights up the red fault indicator light and inhibits the pump start-up. The output contact **7-8** is kept open.

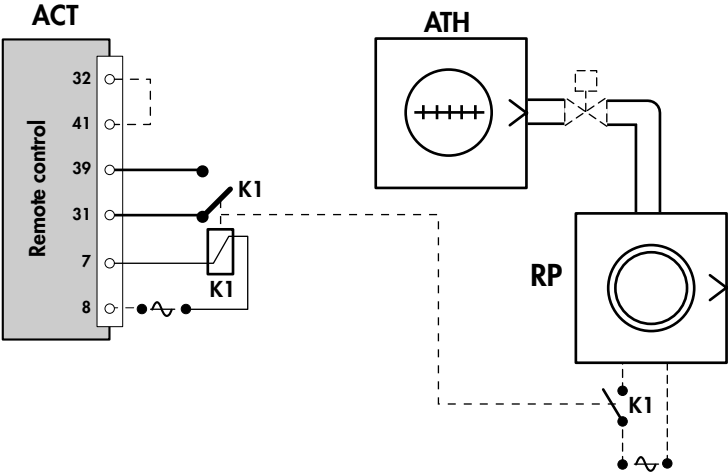
If **SET START DELAY ≠ 0**

- Before pressing on "**START**", the external safety input is not controlled.
- After pressing on "**START**" and during a delay
  - of 4 seconds if **SET START DELAY > 4 s**
  - or between 1 and 4s if **SET START DELAY ≤ 4 s**
 the external safety input is not controlled.
- After this delay, this input is handled by the ACT. If the "external safety" contact is open, it displays the fault "**EXTERNAL SAFETY**", lights up the red fault indicator light, opens the output contact **7-8** and inhibits the pump start-up. This contact can be used to control the roughing pump (see wiring example, following page).

Note: In "REMOTE" mode, after an external fault, the pump must be set to the "STOP" status before starting up again.

**ACT 200 T and ACT 600 T**  
**"Remote Control" connector**  
**"Ext. safety" input operation**

Wiring example to control a roughing pump

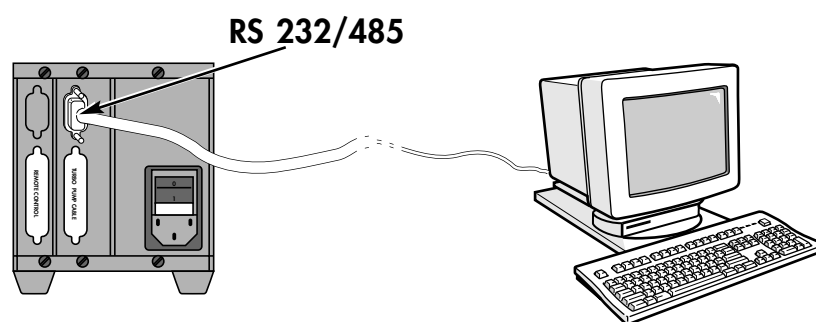


## Controlling the pump using communication software

These instructions are validated for ACT 200/200T/600T, cabinet, Board and Brick version.

**Connect the controller  
to the micro-computer  
(or terminal)**

Realize the necessary connections (*see B 110*).



### PC system requirements

Communication software is compatible with **Windows 3.11, 95 et Windows NT** (™ Microsoft).

It require 2 Mo RAM. Communication ports 1 to 4 must be available.

This application is available on CD Rom or Floppy disk 3"1/2.

Consult us.

### Maintenance

■	Diagnosis and troubleshooting ACT 200 T and 600 T . . . . .	■ <b>D 10</b>
■	Diagnosis and troubleshooting ACT 1000 T . . . . .	■ <b>D 20</b>
■	ATP 80/100/150/400 Maintenance frequency. . . . .	■ <b>D 30</b>
■	ATP 900 Maintenance frequency . . . . .	■ <b>D 40</b>

## Diagnosis and troubleshooting

### ACT 200 T and ACT 600 T

#### Default type:

**"Warning" Wxx** The "FAULT" signal flashes;  
If the buzzer is selected "ON", it is activated;  
The controller doesn't stop the pump.

**"Fault" Dxx** The "FAULT" signal lights on;  
If the buzzer is selected "ON", it is activated;  
The controller stops the pump.

INCIDENT	CAUSE	CONSEQUENCE	REMEDY
<b>No event occurs after power on:</b> <ul style="list-style-type: none"> <li>• No display;</li> <li>• Indicators does not light.</li> </ul>	<ul style="list-style-type: none"> <li>• No mains current in the unit.</li> <li>• Defective power cable.</li> <li>• Fuses.</li> </ul>	The controller is not powered.	<ul style="list-style-type: none"> <li>• Change the power cable.</li> <li>• Check the fuses.</li> <li>• Call the ALCATEL Customer Service.</li> </ul>
<b>Incoherent display Inoperative Keyboard (At starting or during the pumping)</b>		The display is different from «Ready to start !»	<ul style="list-style-type: none"> <li>• Call the ALCATEL Customer Service.</li> </ul>
<b>No light switches on</b>	Defective lights.	The pump can be used without indicators.	<ul style="list-style-type: none"> <li>• Call the ALCATEL Customer Service.</li> </ul>
<b>The pump isn't running (pump seizing) No messages</b>	Cell seizing.	No message. Check the pump status. 200T : I <sub>max</sub> = 1.2 A 600T : I <sub>max</sub> = 0.8 A Rotation speed : 0 rpm The controller temperature is increasing and the warning «ACT TEMP» can appear (65°C)	<ul style="list-style-type: none"> <li>• Check the pump rotation (manually).</li> <li>• Make the pump maintenance.</li> <li>• Call the ALCATEL Customer Service.</li> </ul>

## Diagnosis and troubleshooting ACT 200 T and ACT 600 T

INCIDENT	CAUSE	CONSEQUENCE	REMEDY
<b>WO1 : GREASING</b>	The authorized limit for ball bearing maintenance time has been reached. (M=0 or M=1)		<ul style="list-style-type: none"> <li>• Regrease the pump and initialize the maintenance counter (see <b>E 80</b>).</li> </ul>
<b>WO2 : PUMP MAINTEN.</b>	Pump maintenance time will be reached.	Bearing must be changed.	<ul style="list-style-type: none"> <li>• Call the ALCATEL Customer Service.</li> </ul>
<b>WO3 : ACT TEMP.</b>	The controller temperature is high between: - 60 and 70°C for ACT 600 T; - 65 and 75°C for ACT 200 T; but does not exceed the authorized limit.		<ul style="list-style-type: none"> <li>• Check the controller cooling circuit: - Internal fan for ACT 600T; - Ventilation for ACT 200T.</li> </ul>
<b>WO4 : PUMP TEMP.</b>	Pump temperature is between 75 and 85°C.		<ul style="list-style-type: none"> <li>• Check the pump ventilation.</li> </ul>



## Diagnosis and troubleshooting ACT 200 T and ACT 600 T

INCIDENT	CAUSE	CONSEQUENCE	REMEDY
<b>D01 : EXT SAFETY</b>	The external security contact on the REMOTE CONTROL connector is activated.	The controller stops the motor. The pump can't restart.	<ul style="list-style-type: none"> <li>• Test the external safety devices (contact 31 - 32);</li> <li>• Repair the fault and press START to restart (see B 60)</li> </ul>
<b>D02 : DLY SOFTWARE</b>	Soft counter default.		<ul style="list-style-type: none"> <li>• Reinitialize the controller with the main switch (0/1);</li> <li>• If the fault happens again, call the ALCATEL Customer Service.</li> </ul>
<b>D03 : ACT TEMP.</b>	Controller temperature exceeds the authorized limit 70°C for ACT 600T or 75°C for ACT 200T		<ul style="list-style-type: none"> <li>• Check that the cooling circuit is operating correctly:               <ul style="list-style-type: none"> <li>- Internal fan for ACT 600T;</li> <li>- Ventilation for ACT 200T.</li> </ul> </li> </ul>
<b>D04 : PUMP TEMP.</b>	The pump motor temperature exceeds the authorized limit 85°C.		<ul style="list-style-type: none"> <li>• Check that the cooling circuit is operating correctly;</li> <li>• Reduce the working pressure or the flowrate.</li> <li>• If the fault happens again, call the ALCATEL Customer Service.</li> </ul>
<b>D05 : HALL SENSORS</b>	Not used.		
<b>D06 : START FAULT</b>	Not used.		
<b>D07 : PUMP CURRENT</b>	Motor overcurrent or Hall sensor default.	Starting current too high.	<ul style="list-style-type: none"> <li>• Reinitialize the controller with the main switch (0/1);</li> <li>• If the fault happens again, call the ALCATEL Customer Service.</li> </ul>
<b>D08 : NO CONNECT</b>	Pump not connected.	The pump can't start up.	<ul style="list-style-type: none"> <li>• Check the cable connection.</li> </ul>
<b>D09 : HIGH PRESS.</b>	Not used.		

## Diagnosis and troubleshooting ACT 1000 T

### When a defect appears

The "FAULT" indicator lights, the air inlet valve and/or the "FAULT" contact on the "Remote Control" connector are activated.

In the following table, we use the signs:

- Y Relay contact open;
- N Relay contact closed;
- "FAULT" indicator lit on;
- "FAULT" indicator lit off.

INCIDENT	CAUSE	17-18 13-14 & 11-12	FAULT <input type="checkbox"/>	CONSEQUENCE	REMEDY
No event occurs after power on: • No display; • Indicators does not light.	<ul style="list-style-type: none"> <li>• No mains current in the unit.</li> <li>• Defective power cable.</li> <li>• Fuses.</li> </ul>			■ The controller is not powered.	<ul style="list-style-type: none"> <li>• Change the power cable.</li> <li>• Check the fuses.</li> <li>• Call the Alcatel Customer Service.</li> </ul>
<b>D00 : SEIZED PUMP</b>	Cell seized.	Y	N	■ Check the pump status: ORPM.	<ul style="list-style-type: none"> <li>• Check the pump rotation (manually).</li> <li>• Make the pump maintenance.</li> <li>• Call the Alcatel Customer Service.</li> </ul>
<b>D01 : POWER OVERHEAT</b>	Overheat signal by the «powered» sensor in the unit.	Y	N	■ The controller stops temporarily the motor. Valves are not affected.	<ul style="list-style-type: none"> <li>• Check the controller cooling circuit (Air admissions and fan).</li> <li>• Call the Alcatel Customer Service.</li> </ul>
<b>D03 : MOTOR CONTROL OVERHEAT</b>	Overheat signal by the «dimmer switch» sensor in the unit.	Y	N	■ The controller stops temporarily the motor. Valves are not affected.	<ul style="list-style-type: none"> <li>• Check the controller cooling circuit (Air admissions and fan).</li> <li>• Reduce the working pressure or the flowrate.</li> <li>• Call the Alcatel Customer Service.</li> </ul>
<b>D04 : HALL SENSOR</b>	<ul style="list-style-type: none"> <li>• Hall sensor default.</li> <li>• Motor out of order.</li> <li>• Pump no connected.</li> </ul>	Y	Y	<input type="checkbox"/> The controller stops the motor. Valves are affected and the pump can't restart.	<ul style="list-style-type: none"> <li>• Check the cable connection.</li> <li>• Call the Alcatel Customer Service.</li> </ul>

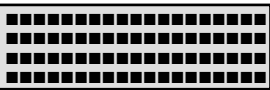
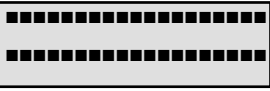
## Diagnosis and troubleshooting ACT 1000 T

INCIDENT	CAUSE	17-18		13-14 & 11-12 <input type="checkbox"/> FAULT	CONSEQUENCE	REMEDY
		Y	Y			
<b>D05 : OVERCURRENT OR SENSOR</b>	<ul style="list-style-type: none"> <li>• Motor overcurrent or hall sensors default.</li> <li>• Motor out of order.</li> <li>Pump no connected.</li> </ul>	Y	Y	<input type="checkbox"/>	The controller stops the motor. Valves are affected and pump can't restart.	<ul style="list-style-type: none"> <li>• Check the cable connection.</li> <li>• Call the Alcatel Customer Service.</li> </ul>
<b>D06 : EXT. SAFETY</b>	The external security contact on the connector is activated.	Y	Y	<input type="checkbox"/>	The controller stops the motor. Valves are affected and pump can't restart.	<ul style="list-style-type: none"> <li>• Test the external safety devices (contact 1 - 2);</li> <li>• Repair the fault and press START to restart.</li> </ul>
<b>D21 : PUMP OVERHEAT</b>	Pump overheat.	Y	N	<input checked="" type="checkbox"/>	The controller stops the motor. Valves are not affected.	<ul style="list-style-type: none"> <li>• Check the pump cooling.</li> <li>• Reduce the working pressure or the flowrate.</li> </ul>
<b>D22 : CONTROLLER OVERHEAT</b>	Overheat signal by the «management» sensor in the unit. T > 60°C.	Y	N	<input type="checkbox"/>	The controller stops the motor. Valves are not affected.	<ul style="list-style-type: none"> <li>• Check the controller cooling circuit (Air admissions and fan).</li> <li>• Reduce the working pressure or the flowrate.</li> <li>• Call the Alcatel Customer Service.</li> </ul>
<b>D23 : HOT PUMP</b>	Pump temperature exceeds 75°C.	N	N	<input checked="" type="checkbox"/>	Fault is displayed (message).	<ul style="list-style-type: none"> <li>• Check the pump cooling.</li> <li>• Reduce the pressure or the flow.</li> <li>• If the default is still present the D21 appears.</li> </ul>
<b>D24 : BEARINGS MUST BE CHANGED</b>	The bearing life time has been reached.	N	N	<input type="checkbox"/>	The «fault» signal flashes.	<ul style="list-style-type: none"> <li>• Change the emergency bearings;</li> <li>• Call the Alcatel Customer Service.</li> </ul>
<b>D26 : NO CONNECT</b>	<ul style="list-style-type: none"> <li>• Temperature probe failure.</li> <li>• Pump no connected.</li> <li>• Sensor no connected.</li> </ul>	Y	Y	<input type="checkbox"/>	The controller stops the motor. Valves are not affected.	<ul style="list-style-type: none"> <li>• Check the cable controller electrical connection.</li> <li>• Call the Alcatel Customer Service.</li> </ul>

## Diagnosis and troubleshooting ACT 1000 T

INCIDENT	CAUSE	17-18	13-14 & 11-12	FAULT <input type="checkbox"/>	CONSEQUENCE	REMEDY
		N	N			
<b>D27 : DATE AND TIME</b>	<ul style="list-style-type: none"> <li>• Converter memory problem.</li> <li>• STOCK Parameter activated.</li> </ul>	N	N	<input checked="" type="checkbox"/>	The controller supplies power to the pump but the display is incorrect.	<ul style="list-style-type: none"> <li>• Access the DATE menu and update the new date.</li> <li>• Reinitialize the controller with the main switch (0/1)</li> <li>• Call the Alcatel Customer Service.</li> </ul>
<b>D28 : DISABLE EEPROM WRITE</b>	Writing memory problem on the management card.	N	N	<input checked="" type="checkbox"/>	The controller supplies power to the pump but the data are not saved.	<ul style="list-style-type: none"> <li>• Reinitialize the controller with the main switch (0/1)</li> <li>• Call the Alcatel Customer Service.</li> <li>• Contacter le Service Client.</li> </ul>
<b>D29 : INPUT POWER</b>	<ul style="list-style-type: none"> <li>• Mains power failure.</li> <li>• Problem on the 72V power supply.</li> </ul>	N	Y	<input checked="" type="checkbox"/>	The pump is not powered and generate power to the controller. The defect appears briefly before the power cut.	<ul style="list-style-type: none"> <li>• Check the cable connection to the pump and controlle.</li> <li>• Check the fuses.</li> <li>• Call the Alcatel Customer Service.</li> </ul>
<b>D30 : EEPROM CHECKSUM</b>	Reading memory problem on the management card.	N	N	<input type="checkbox"/>	The controller stops the motor.	<ul style="list-style-type: none"> <li>• Call the Alcatel Customer Service.</li> </ul>
<b>D37 : GREASING BEARING</b>	The bearing relubricated time has been reached.	N	N	<input type="checkbox"/>	The «fault» signal flashes.	<ul style="list-style-type: none"> <li>• Make the relubrication and reinitialize the maintenance counter.</li> </ul>

## Diagnosis and troubleshooting ACT 1000 T

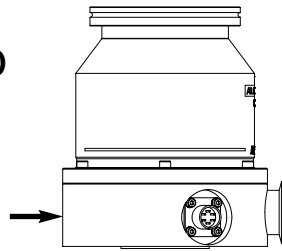
INCIDENT	CAUSE	CONSEQUENCE	REMEDY
<div style="border: 1px solid black; padding: 5px; width: fit-content; margin: auto;">                     ACT 1000 T V2.X                      -----                      PUMP MEMORY FAULT                 </div>	When the controller is started up, the pump cannot be identified.	The controller is help up.	<ul style="list-style-type: none"> <li>• Call the ALCATEL Customer Service.</li> </ul>
<div style="border: 1px solid black; padding: 5px; width: fit-content; margin: auto;">  </div>	Converter power supply problem.	The controller is blocked.	<ul style="list-style-type: none"> <li>• Call the ALCATEL Customer Service.</li> </ul>
<div style="border: 1px solid black; padding: 5px; width: fit-content; margin: auto;">  </div>	The micro board is not working.	The controller is not working.	<ul style="list-style-type: none"> <li>• Call the ALCATEL Customer Service.</li> </ul>
<div style="border: 1px solid black; padding: 5px; width: fit-content; margin: auto;">                     ACT 1000 T V2.X                      -----                      WDOG CONVERTER                 </div>	The microprocessor is running on itself: it is not able to control the operating sequency.	Momentaneously, the controller is not working.	<ul style="list-style-type: none"> <li>• If the speed is zero when the message appears, wait for the message disappiars and try again the starting procedure.</li> <li>• If the speed is not zero, wait for running stops and start again the pump.</li> <li>• If the message continues, call the ALCATEL Customer Service.</li> </ul>

# ATP 80, ATP 100, ATP 150, ATP 400 Maintenance frequency

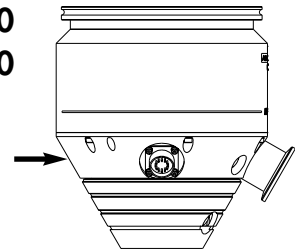
Intervals for relubrication and the ball bearings replacement depend on the type of process used.

Housing temperature measuring point

ATP 80  
ATP 100



ATP 150  
ATP 400

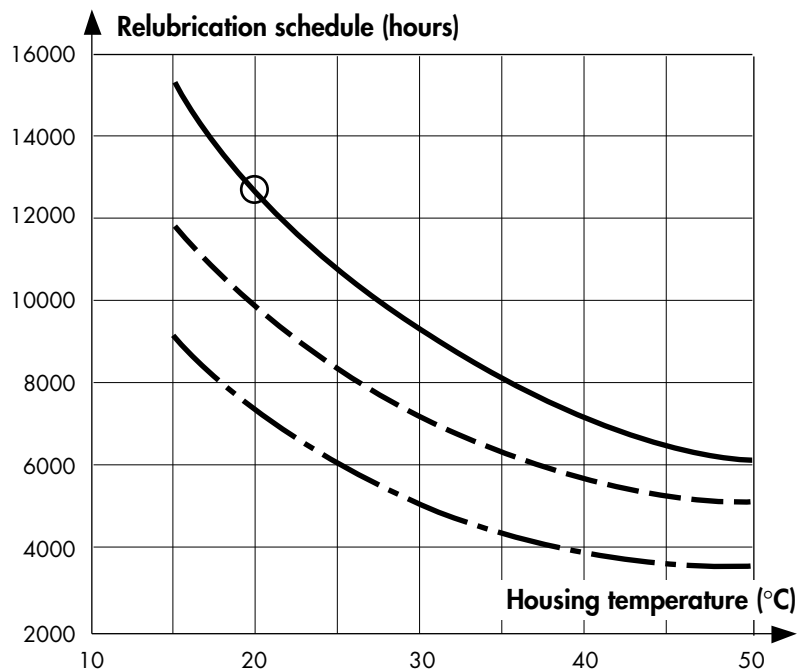


Use of the pump

- In continuous operation, at ultimate pressure, no process.
- In cycle less than 1 hour, at maximum inlet pressure, no process.
- · - · - In cycle less than 1 hour, at maximum inlet pressure, with chlorinated or fluorine process.

Pump curve:

- ATP 80 - ATP 80 C
- ATP 100 - ATP 100 C
- ATP 150 - ATP 150 C
- ATP 400 - ATP 400 C
- ATP 400 HPC



Example

For use at 20°C housing temperature, in continuous operation, at ultimate pressure, the maintenance frequency is **13000h (t)**.

t	<b>13000h</b>	1st lubrication	M <sup>*</sup> =0
t x 2	<b>26000h</b>	2nd lubrication	M <sup>*</sup> =1
t x 3	<b>39000h</b>	Disassemble the pump, replace and condition the ball bearings	M <sup>*</sup> =2

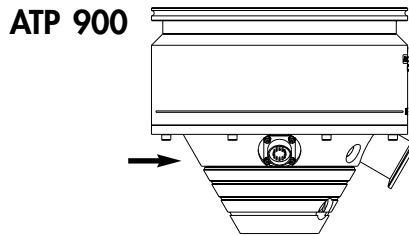
\*Maintenance counter

# ATP 900

## Maintenance frequency

Intervals for relubrication and the ball bearings replacement depend on the type of process used.

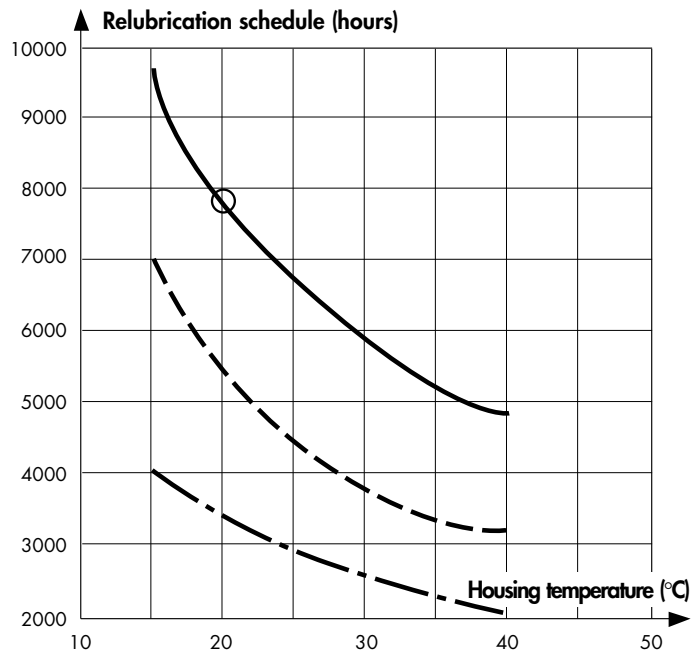
Housing temperature measuring point



Use of the pump

- In continuous operation, at ultimate pressure, no process.
- In cycle less than 1 hour, at maximum inlet pressure, no process.
- · - · - In cycle less than 1 hour, at maximum inlet pressure, with chlorinated or fluorine process.

Pump curve:  
ATP 900 - ATP 900 C  
ATP 900 HPC



Example

For use at 20°C housing temperature, in continuous operation, at ultimate pressure, the maintenance frequency is **8000h (t)**.

t	<b>8000h</b>	1st lubrication	M*=0
t x 2	<b>16000h</b>	2nd lubrication	M*=1
t x 3	<b>24000h</b>	Disassemble the pump, replace and condition the ball bearings	M*=2

\*Maintenance counter

### Operation sheets

■ Precautions before maintenance . . . . .	■ <b>E 10</b>
■ ATP 80/100 Pumps lubrication . . . . .	■ <b>E 20</b>
■ ATP 150/400/900 Pumps lubrication. . . . .	■ <b>E 30</b>
■ ATP 80/100 bearing replacement . . . . .	■ <b>E 40*</b>
■ ATP 150/400/900 bearing replacement . . . . .	■ <b>E 50*</b>
■ Cleaning parts . . . . .	■ <b>E 60*</b>
■ Pump running-in for ATP 80/100/150/400. . . . .	■ <b>E 70</b>
■ Maintenance counters for ACT 200 T and 600 T controllers. . . . .	■ <b>E 80</b>
■ ATP 900 pump running-in . . . . .	■ <b>E 90</b>
■ Maintenance counters for ACT 1000 T controllers . . . . .	■ <b>E 100</b>

\* These chapters are included into the ball bearing replacement manual delivered with the specific tool.



## Precautions before maintenance



It is important to isolate the machine from the electrical power supply source before any intervention inside the equipment (for maintenance reasons).

Before any maintenance operation, check the pumping conditions of the installation: toxicity, possible corrosion of the pumped gases. Depending on the case, we recommend:

- to purge the pumping installation with dry nitrogen before any intervention;
- to wear gloves, goggles and breathing masks, if necessary;
- to ventilate the room well and disassemble the equipment under a fume hood.

After a complete maintenance operation, it is recommended to perform a helium leaktightness test.

Similarly, follow all the safety instructions concerning start-up.

## ATP 80 and ATP 100 Pumps lubrication

The first lubrication required for the correct operation of ATP pumps is performed in the factory. Subsequent lubrications should be performed according to the procedure below and according to a frequency defined as a function of processes used (see scales **D 30**).

**Only use the ALCATEL grease contained in the lubrication syringe** (refer to the maintenance component references **F 10**).



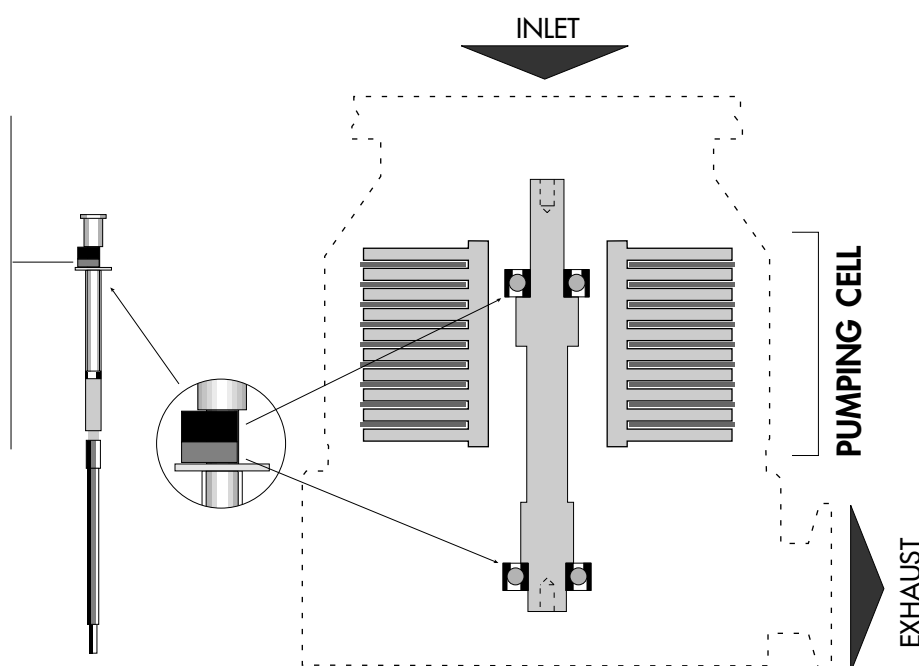
**Avoid introducing foreign matter into the pump during these operations. Lubrication must be performed with the pump switched off.**

### Use of the lubrication syringe

The ATP contains two bearings which must both be reloaded with grease at each relubrication period. The syringe is equipped with two jumpers with different widths and colours (red and black) **used to proportion the grease accurately for each pump bearing.**

Lubrication of bearing on the pumping cell side:  
**black jumper.**

Lubrication of bearing opposite the pumping cell side:  
**red jumper.**

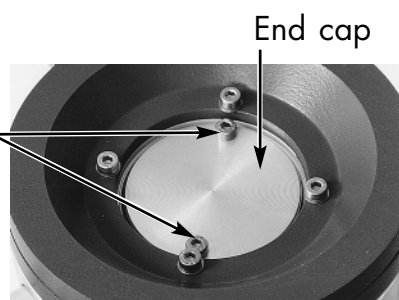


## ATP 80 and ATP 100 Pumps lubrication

Disconnect the pump from the installation.

### Bearing lubrication

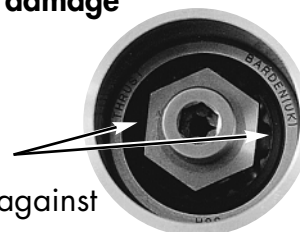
**3** Remove the end cap by removing the two attachment screws. Remove the compression spring and the adjustment sleeve (**asymmetrical part, mark the direction for assembly**).



### Bearing opposite the pumping cell

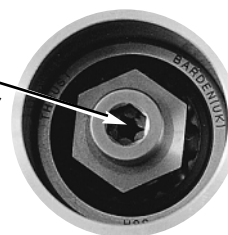
Introduce the syringe equipped with its needle into the bearing and remove the red jumper. **!** **Always position the syringe needle between two balls of the bearing so as not to damage the bearing.**

Distribute the dose of grease in 2 diametrically opposed points, until the syringe plunger comes to a stop against the black jumper.



### Bearing on pumping cell side

Introduce the lubrication syringe needle into the drilled screw located at the center of the rotor until it comes to a stop against the screw head. Keep the syringe pressed down to the bottom of its housing throughout the operation.



Remove the black jumper from the syringe and introduce the grease until the plunger comes to a stop.

Remove the syringe.

**3** Reassemble the adjustment sleeve (taking care with the direction), the spring and the end cap with its o-ring.

The relubrication operation is complete.

Execute the pump running-in: see **E 70**.

## ATP 150, ATP 400 and ATP 900 Pumps lubrication

The first lubrication required for the correct operation of ATP pumps is performed in the factory. Subsequent lubrications should be performed according to the procedure below and according to a frequency defined as a function of processes used (see scales *D 30* and *D 40*).

**Only use the ALCATEL grease contained in the lubrication syringe** (refer to the maintenance component references *F 10*).



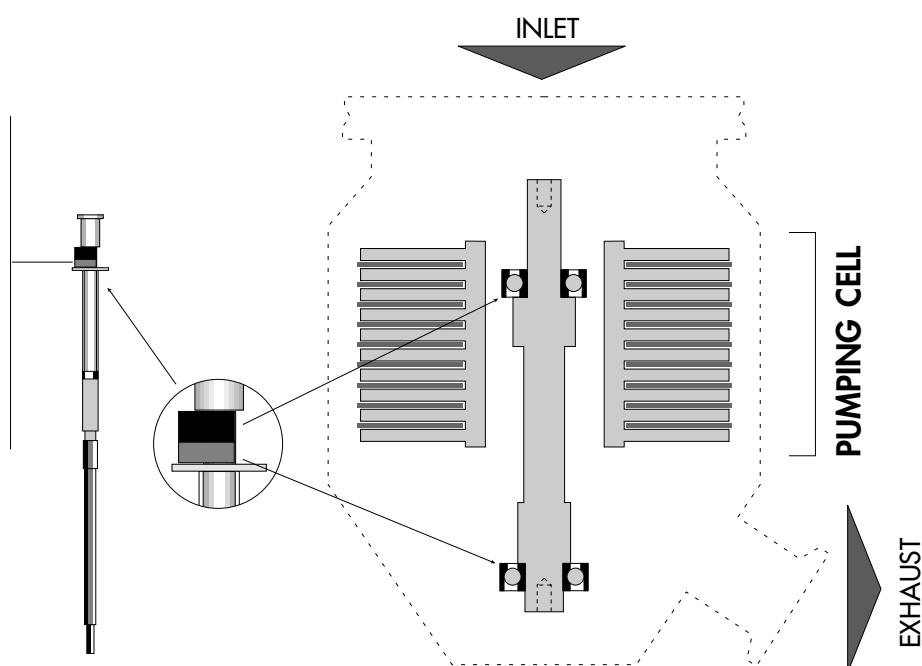
**Avoid introducing foreign matter into the pump during these operations. Lubrication must be performed with the pump switched off.**

### Use of the lubrication syringe

The ATP contains two bearings which must both be reloaded with grease at each relubrication period. The syringe is equipped with two jumpers with different widths and colours (red and black) **used to proportion the grease accurately for each pump bearing.**

Lubrication of bearing on the pumping cell side:  
**black jumper.**

Lubrication of bearing opposite the pumping cell side:  
**red jumper.**



## ATP 150, ATP 400 and ATP 900 Pumps lubrication

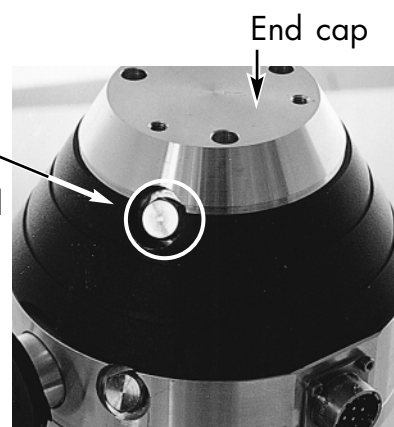
The pump can remain connected to the installation during lubrication.

### Lubrication of the bearing opposite the pumping cell

**13** Unfasten the lubricating plug on the end cap side.

Introduce the syringe equipped with its needle to the bottom of the housing and **remove the red jumper**.

While keeping the syringe needle at the bottom of its housing, introduce the grease until the plunger comes to a stop. Remove the syringe.

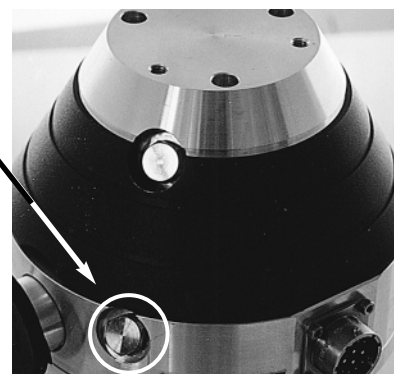


Replace the lubricating plug after replacing its o-ring, contained in the syringe packaging.

### Lubrication of the bearing on the pump cell side

**13** Unfasten the lubricating plug on the pumping cell side.

Repeat the same operations, this time removing the black jumper from the syringe (keep the syringe at the bottom of its housing throughout the operation).



Remove the syringe and reassemble the lubricating plug equipped with its new o-ring.

The relubrication operation is complete.

Execute the pump running-in:  
see **E 70** for ATP 150 and ATP 400, and  
see **E 90** for ATP 900.

## Pump running-in for ATP 80, ATP 100, ATP 150, ATP 400

### The pump must undergo a running-in operation

It consists of pump operation cycles at different speeds to distribute gradually and regularly the grease through the ball bearings.

### Running-in after ball bearing replacement

#### Running-in program No. 1 duration $\approx$ 20 hours

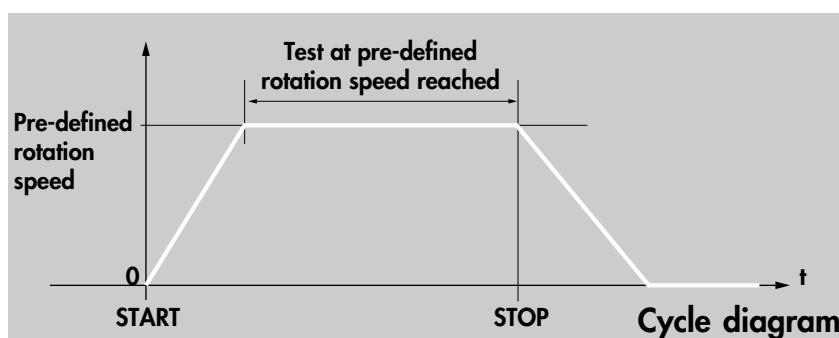
This operation is used to obtain the pump's initial performance in terms of reliability, noise level, vibration and power consumption.

### Running-in after pump lubrication

#### Running-in program No. 2 duration $\approx$ 2 h 30

This operation is used to fine-tune the distribution of the grease in the bearings.

The running-in consist to run Start/Stop cycles at different speeds until a pre-defined rotational speed is reached.  
**A phase is made of a chain of identical cycles.**



During the running-in, cycle and phase counters are decremented to display

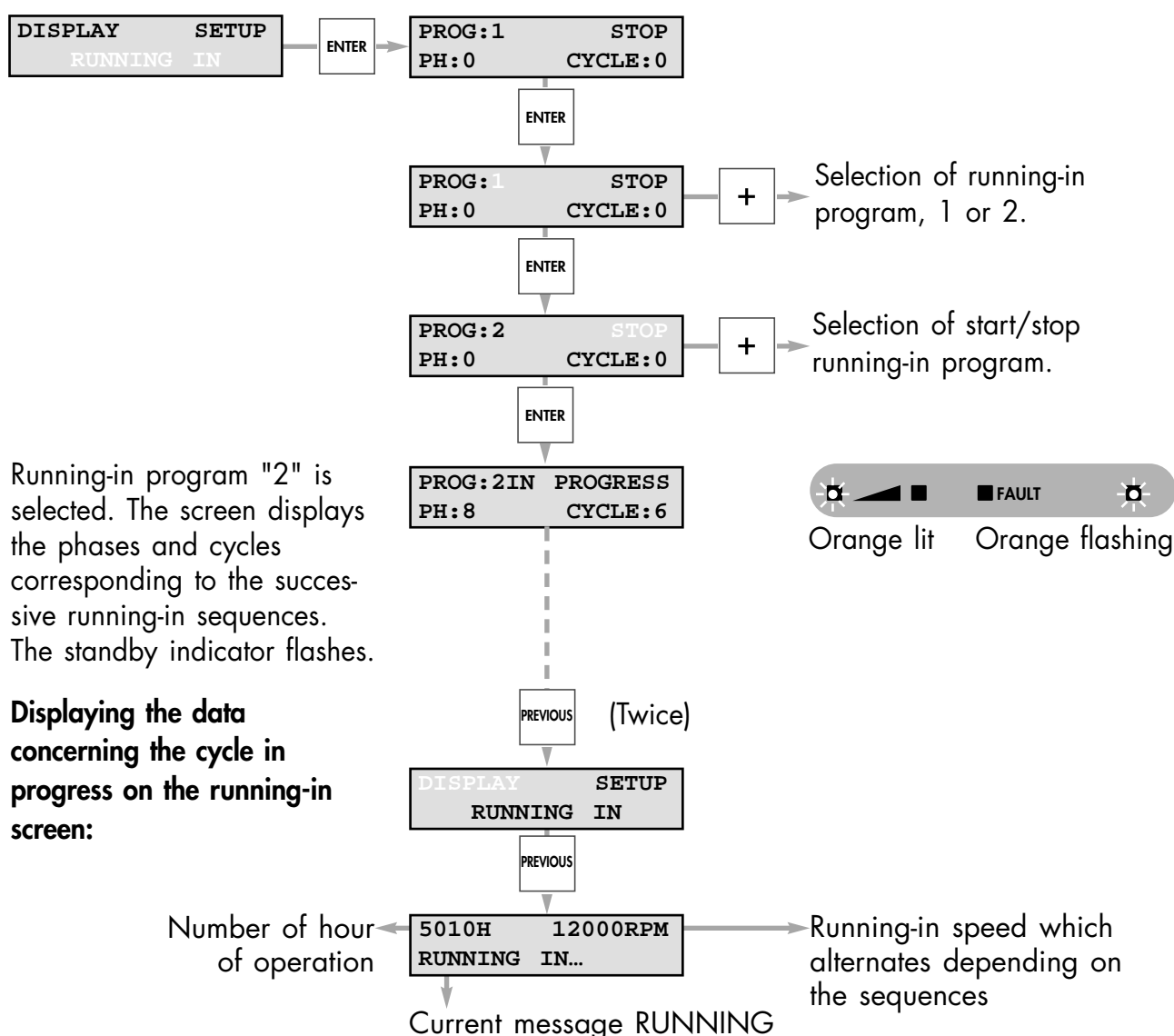
PROG : 1	END
PH : 0	CYCLE : 0

The running-in is ended.

## Pump running-in for ATP 80, ATP 100, ATP 150, ATP 400

### Running-in procedure

- Let the pump operate 10 minutes at atmospheric pressure.
- Then, connect the primary pump and operate at ultimate pressure (the cooling has been started up).
- Start the running-in operation as follows:



## Pump running-in for ATP 80, ATP 100, ATP 150, ATP 400

### If a problem occurs during running-in

The controller displays:

PROG 2	FAULT
PH 1	CYCLE 2

and the program is stopped. Remedy to the problem and start again the running-in operation.

During the running-in cycles:

- the START / STOP / STANDBY keys are deactivated;
- access to the **SETUP** menu is impossible;
- access to the **DISPLAY** menu is possible.

**We advise you against stopping the running-in procedure.**

### If a power failure occurs during running-in

The controller displays:

5600H	ORPM
READY TO START !	

and the Standby indicator light is lit on. The running-in operation has been stopped and **it must be started again.**



## Maintenance counters for ACT 200T and ACT 600T controllers

**Principle** The ball bearings can be regreased 2 times before to be changed.  
The maintenance counter allows to account for these different operations (0-1-2) and to set their frequency limits (in hours).

When leaving the factory, the «**MAINTENANCE**» counter is reset at «0» and the frequency fixed at 5000h: this can be modified depending on the defined values in the greasing schedule (*see D 30*) or on the acquired know-how.

Maintenance operations are automatically displayed by the controller since this reset.

The user will have to perform the regreasings or ball bearing replacement and to increase the maintenance counter.

Example of operation with a maintenance frequency fixed to 5000h\*.

"MAINTENANCE" Counter	0	1	2	0
"LIMIT" (period in h)	5000	10000	15000	5000
"TIME BEARINGS" Counter	0	5000	10000	15000
Message		W01	W01	W02
Maintenance operation	New bearings	1st lubrication + Increase "MAINTENANCE" counter to 1 + Start the running-in program N° 2**	2nd lubrication + Increase "MAINTENANCE" counter to 2 + Start the running-in program N° 2**	Bearings replacement + Increase "MAINTENANCE" counter to 0 + Start the running-in program N° 1**

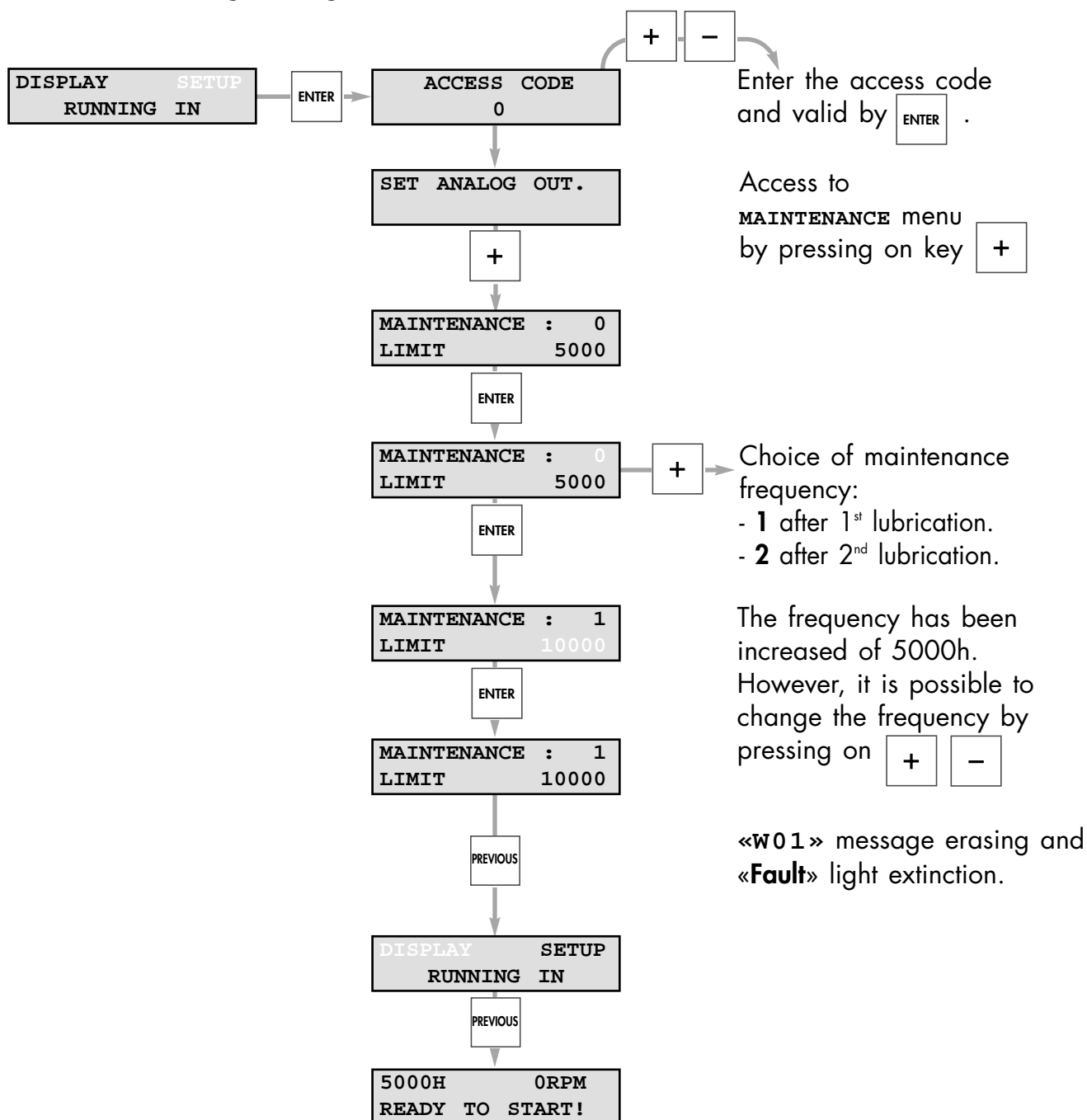
\*The maintenance frequency for regreasing or ball bearing replacement could be modified along the life time of the bearings: it could be justified by a process evolution, or the user's know-how.

\*\*In all the cases, wait for the display of running-in «END».

## Maintenance counters for ACT 200T and ACT 600T controllers

### Increasing of the «MAINTENANCE» counter after regreasing

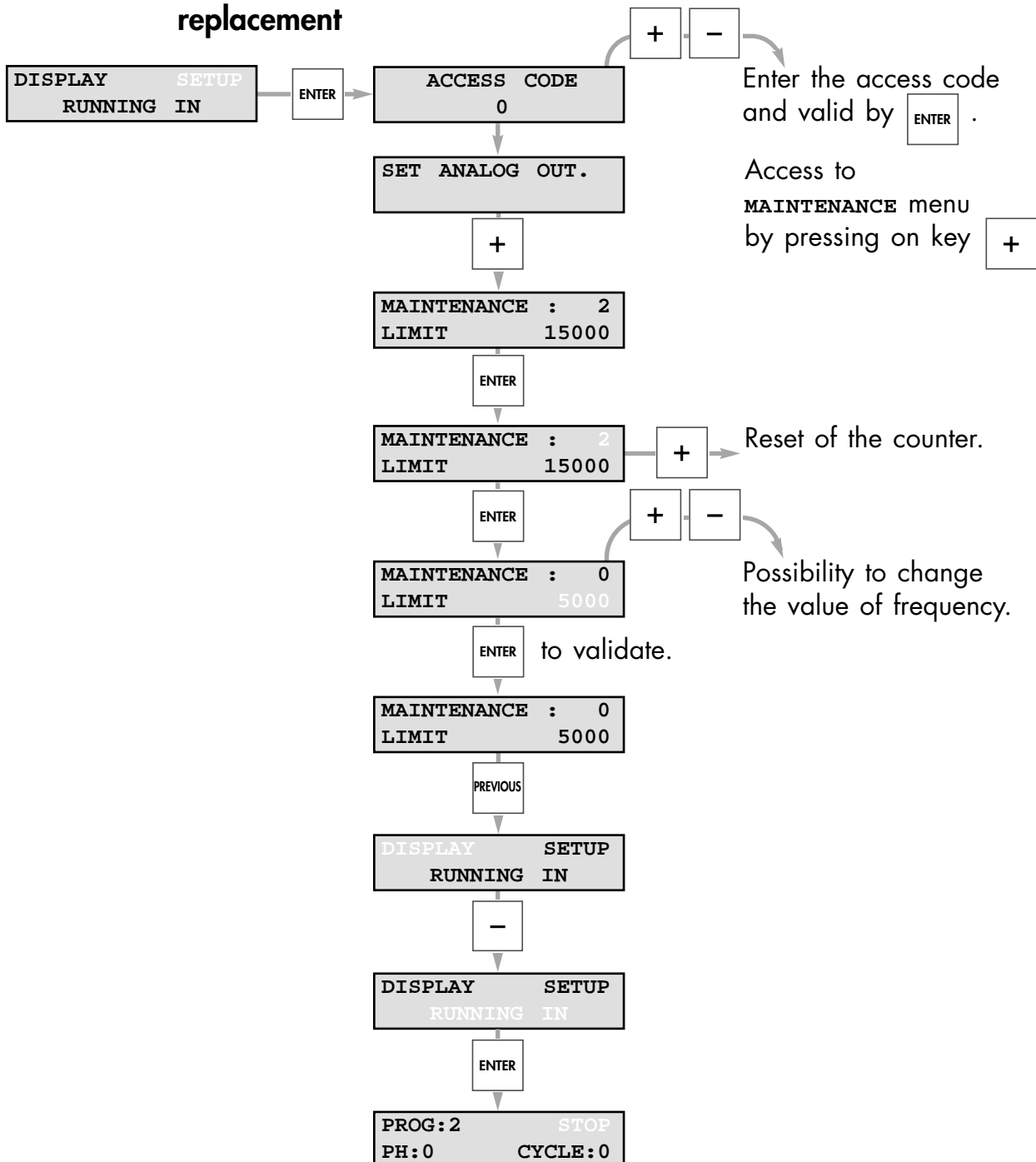
Display of the «W01: GREASING» message and lighting of «Fault» light.



## Maintenance counters for ACT 200T and ACT 600T controllers

### Counter resetting after ball bearing replacement

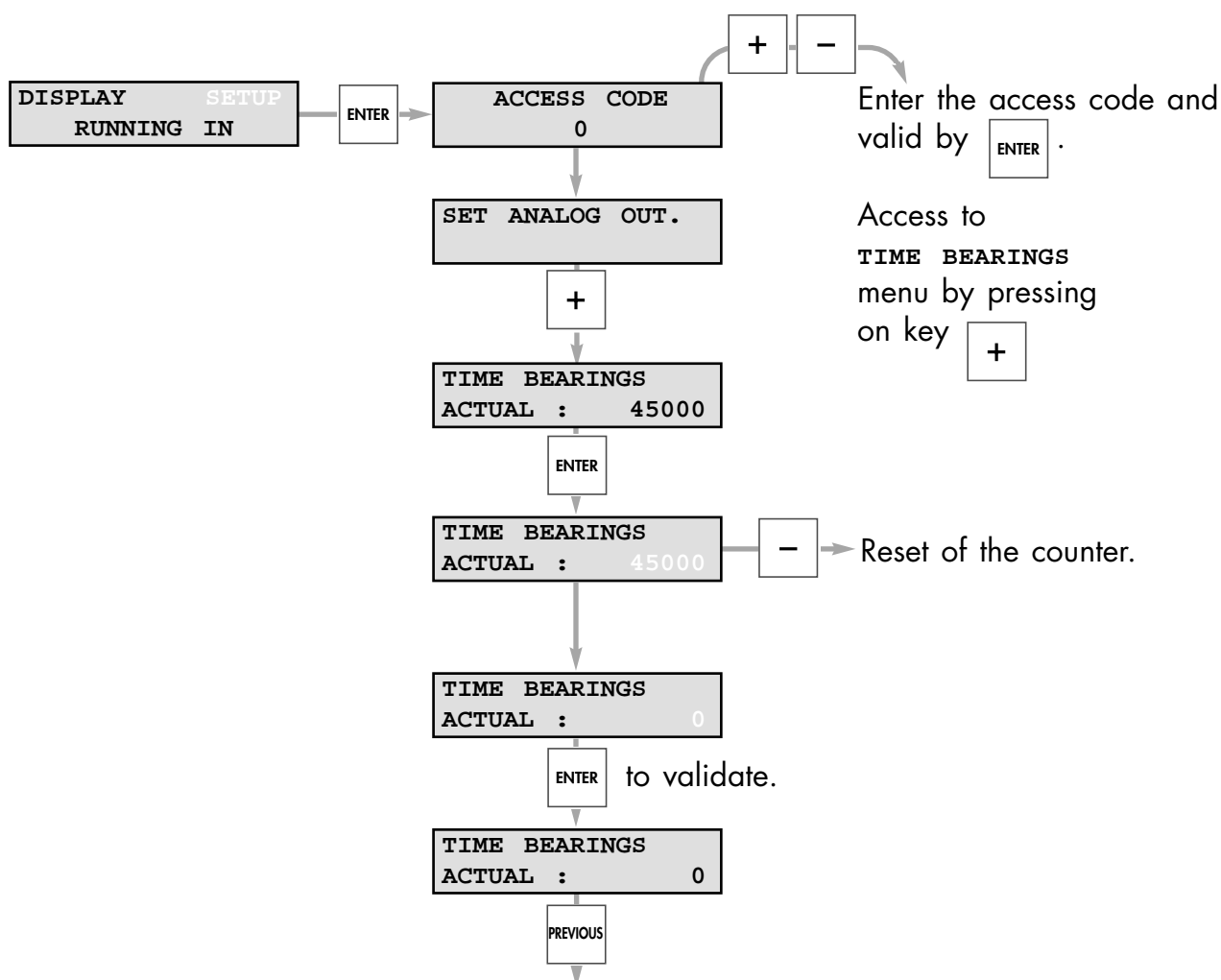
Display of the «W02 : ATP MAINTENANCE» message and lighting of «Fault» light.



Start the running-in program N°1 and wait for the display of Running-in «END»  
**TIME BEARINGS** counter is automatically reset to «0» after program **1 running-in**.  
 «W02» message erasing and «Fault» light extinction.

## Maintenance counters for ACT 200T and ACT 600T controllers

After a ball bearing replacement in our Service Centers, it is necessary to reset the **TIME BEARINGS** counter as follows:



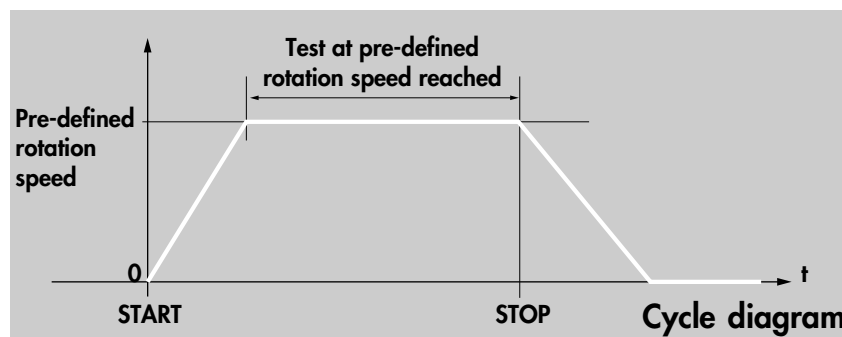
## ATP 900 pump running-in

### The pump must undergo a running-in operation

It consists of pump operation cycles at different speeds to distribute gradually and regularly the grease through the ball bearings.

### Cycles and phases

The running-in consist to run Start/Stop cycles at different speeds until a pre-defined rotational speed is reached. **A phase is made of a chain of identical cycles.**



### Running-in procedure

- Let the pump operate 10 minutes at atmospheric pressure.
- Then, connect the primary pump and operate at ultimate pressure (the cooling has been started up).
- Then, do the following cycles :

### Running-in after lubrication of the ball bearing

1st phase	: 6 cycles	START/STOP	to	6000 RPM
				and leave running for 30mn to 6000 RPM
2nd phase	: 2 cycles	START/STOP	to	10000 RPM
				and leave running for 30mn to 10000 RPM
3rd phase	: 2 cycles	START/STOP	to	16500 RPM
				and leave running for 30mn to 16500 RPM
4th phase	: 1 cycle	START/STOP	to	23000 RPM
				and leave running for 30mn to 23000 RPM

STANDBY menu allows speed adjustment.

---

**ATP 900 pump running-in****Running-in after  
ball bearing replacement**

1st phase :	6 cycles	START/STOP	to	6000 RPM
		and leave running for 4h	to	6000 RPM
2nd phase :	2 cycles	START/STOP	to	10000 RPM
		and leave running for 4h	to	10000 RPM
3rd phase :	2 cycles	START/STOP	to	16500 RPM
		and leave running for 5h	to	16500 RPM
4th phase :	1 cycle	START/STOP	to	23000 RPM
		and leave running for 3h	to	23000 RPM
		then for 1h	to	27000 RPM

## Maintenance counters for ACT 1000T controller

**Principle** The ball bearings can be regreased 2 times before to be changed.  
The maintenance counter allows to account for these different operations (0-1-2) and to set their frequency limits (in hours).

When leaving the factory, the «**BEARING MAINT.**» counter is reset at «0» and the frequency fixed at 5000h: this can be modified depending on the defined values in the greasing schedule (*see D 40*) or on the acquired know-how.

Maintenance operations are automatically displayed by the controller since this reset.

The user will have to perform the regreasings or ball bearing replacement and to increase the «**BEARING MAINT.**» and «**BEARING LIMIT**» counters.

Example of operation with a maintenance frequency fixed to 5000h\*.

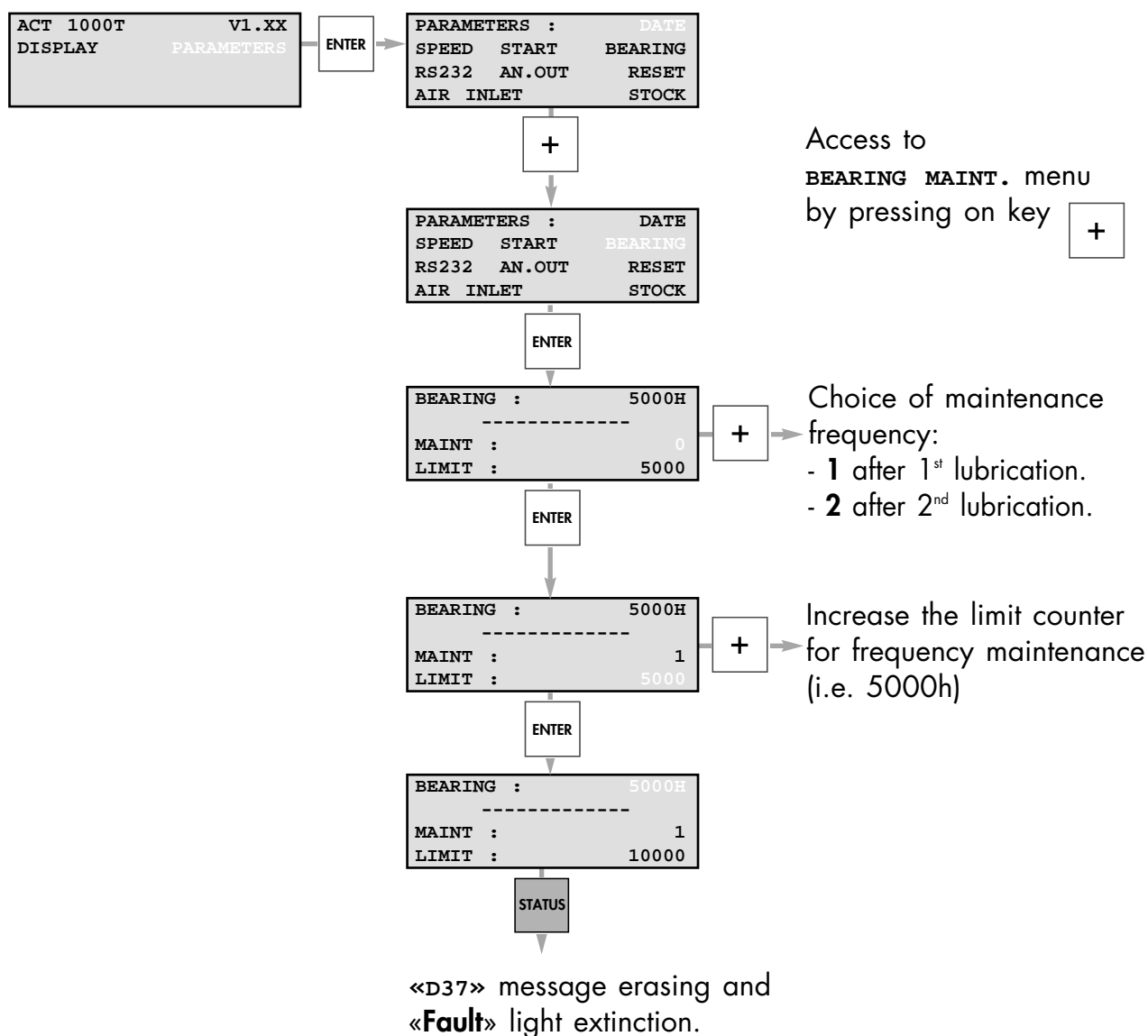
"BEARING MAINT" Counter	0	1	2	0
"LIMIT" (period in h)	5000	10000	15000	5000
"BEARING LIMIT" Counter	0	5000	10000	15000
Message		D37	D37	D24
Maintenance operation	New bearings	1st lubrication + Increase "BEARING MAINT" counter to 1 and "BEARING LIMIT" counter to 10000	2nd lubrication + Increase "BEARING MAINT" counter to 2 and "BEARING LIMIT" counter to 15000	Bearings replacement + Increase "BEARING MAINT" counter to 0 and "BEARING LIMIT" counter to 5000 + Reset "BEARING" counter

\*The maintenance frequency for regreasing or ball bearing replacement could be modified along the life time of the bearings: it could be justified by a process evolution, or the user's know-how.

## Maintenance counters for ACT 1000T controller

### Increasing of the «BEARING MAINT» counter after regreasing

Display of the «D37: GREASING BEARING» message and lighting of «Fault» light.

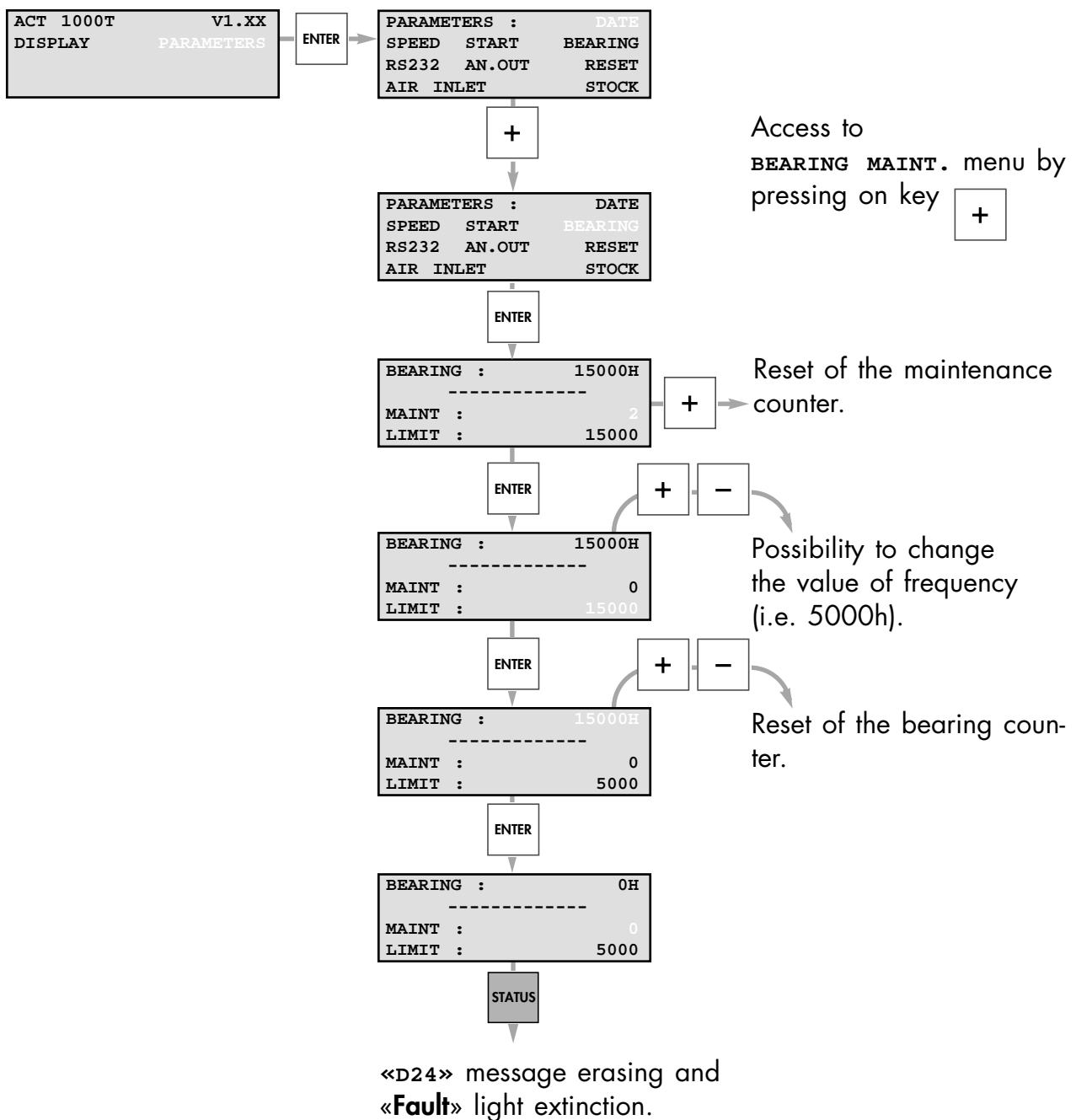




## Maintenance counters for ACT 1000T controller

«BEARING MAINT» counter resetting after ball bearing replacement

Display of the «D24» message and lighting of «Fault» light.

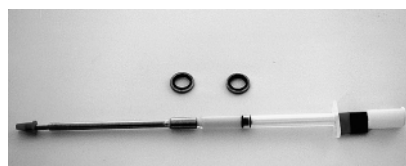


### Maintenance components

■ Maintenance parts. . . . .	■ <b>F 10</b>
------------------------------	---------------

## Maintenance parts

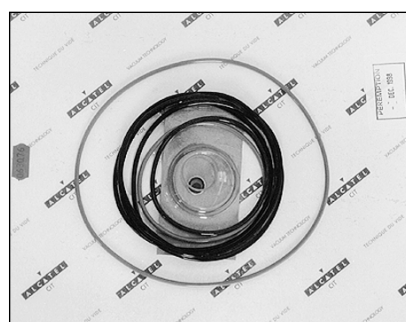
**Lubrication syringe** Ready-to-use, it contains the grease load required for a regreasing operation on the 2 bearings and two BS rings.



Pump type	P.N.
ATP 80/100	056993
ATP 150	101924
ATP 400/900	

## Necessary tools for pump overhaul (1 + 2 + 3)

**1 - Seal kit** It includes all the seals which must be replaced during the maintenance of the pump with a change of bearings.



Pump type	P.N.
ATP 80/100	062698
ATP 150	063078
ATP 400	063076
ATP 900	062992

**2 - Tool kit**



It enables the user to replace bearings easily. It includes the ball bearing replacement manual.

Pump type	P.N.
ATP 80/100	101930
ATP 150	
ATP 400/900	

## Maintenance parts

### 3 - Ceramic bearing kit

The **kit** contains 1 bearing and a pre-load washer (not used in the ATP)



Choose the bearings according to the 2 figures marked on the identification plate, after the pump serial number and in compliance with the table below, in order to obtain a correct assembly set.

Shaft diam. reference

**ALCATEL - ANNECY**  
**Type : ATP 80**  
**N° série : 85501 2 3**

↙ pumping cell side

↘ side opposite the cell

Pump type	Reference on identification plate				
	1	2	3	4	5
80 100	<b>066671</b>	<b>066672</b>	<b>066673</b>	<b>066674</b>	<b>066675</b>
150 400 900	<b>066691</b>	<b>066692</b>	<b>066693</b>	<b>066694</b>	<b>066695</b>

Example of ATP 80 model pump:

First figure **2**: For the bearing on the pumping cell side, the choice of kit is reference 066672;

Second figure **3**: For the bearing on the side opposite the cell, the choice of kit is reference 066673.

## Maintenance parts

### Copper seals for pumps with CF-F flanges

Flange type	Sets of 10 parts	10 sets of 1 part (Unit packaged)
63 CF-F	<b>303283</b>	<b>303290</b>
100 CF-F	<b>303284</b>	<b>303291</b>
160 CF-F	<b>303285</b>	<b>303292</b>
200 CF-F	<b>303286</b>	<b>303293</b>

### Fuses for controllers

Description	Qty	ACT 200T	ACT 600T	ACT 1000T
Fuse 5 x 20 T 250V	2	<b>3.15A</b>		
Fuse 5 x 20 T 250V	2		<b>6.3A</b>	
Fuse 6 x 32 T 250V	2			<b>16A</b>

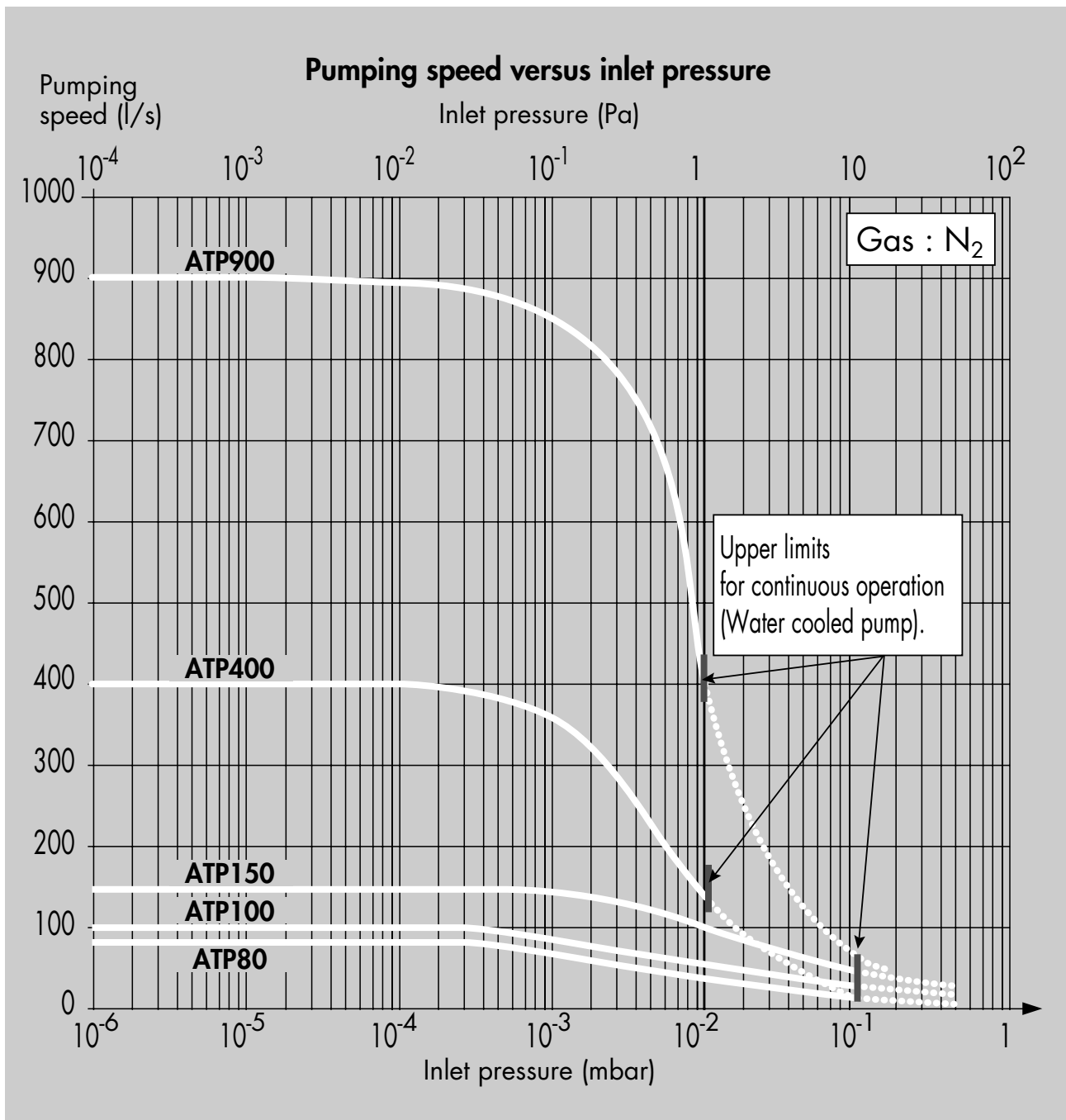
### Air inlet electrovalves

Description	Part Num.
Electrovalve coil 240V 50/60 HZ	<b>038124</b>
Electrovalve coil 220V 50/60 HZ	<b>038121</b>
Electrovalve coil 200V 50/60 HZ	<b>038125</b>
Electrovalve coil 115V 50/60 HZ	<b>038122</b>
Electrovalve coil 100V 50/60 HZ	<b>038126</b>
Electrovalve coil 12V DC	<b>038127</b>
Electrovalve operator	<b>038102</b>
Silencer	<b>075990</b>

### Appendix

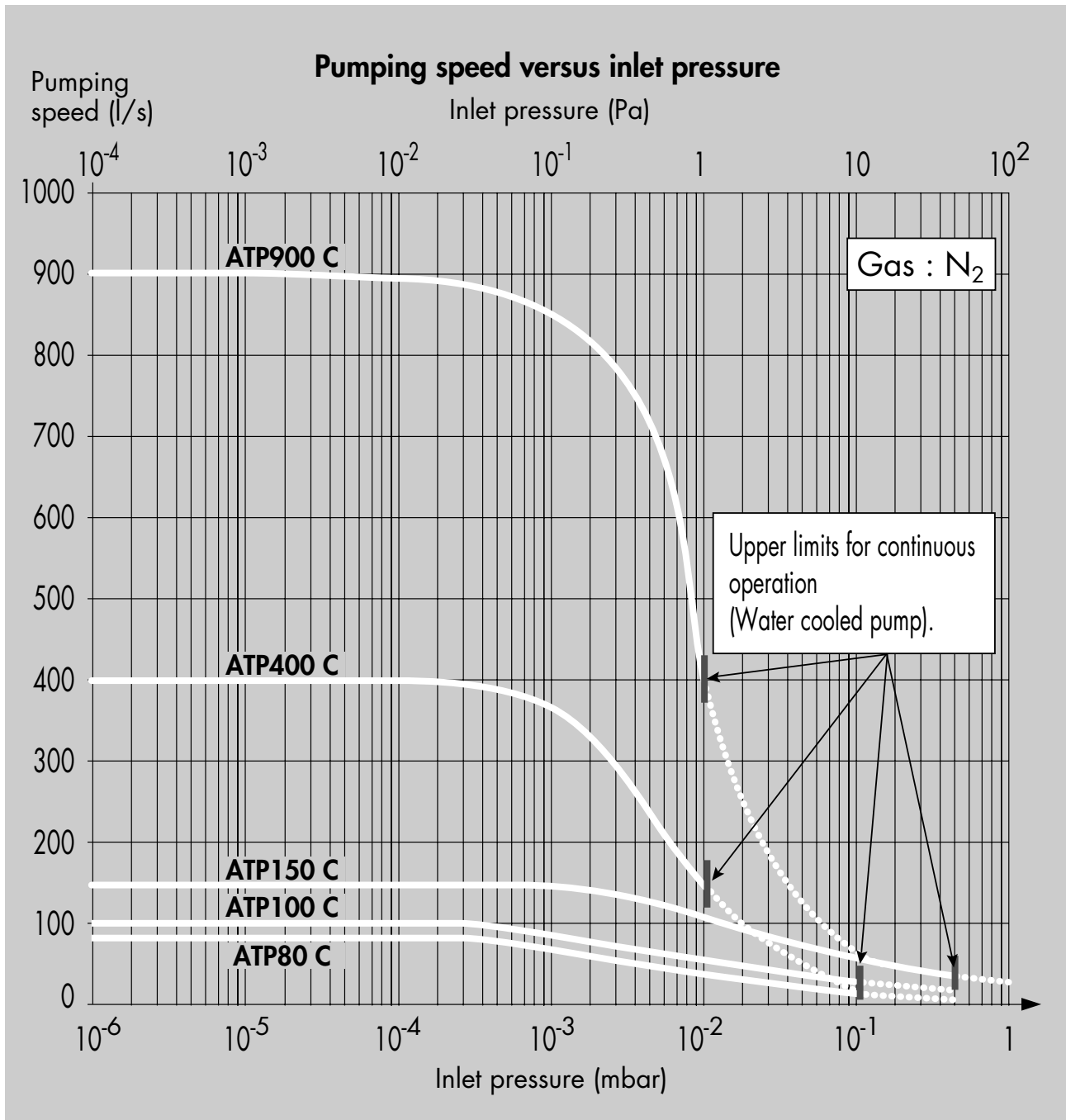
■ Pumping curves. . . . .	■ <b>G10</b>
---------------------------	--------------

# Pumping curves



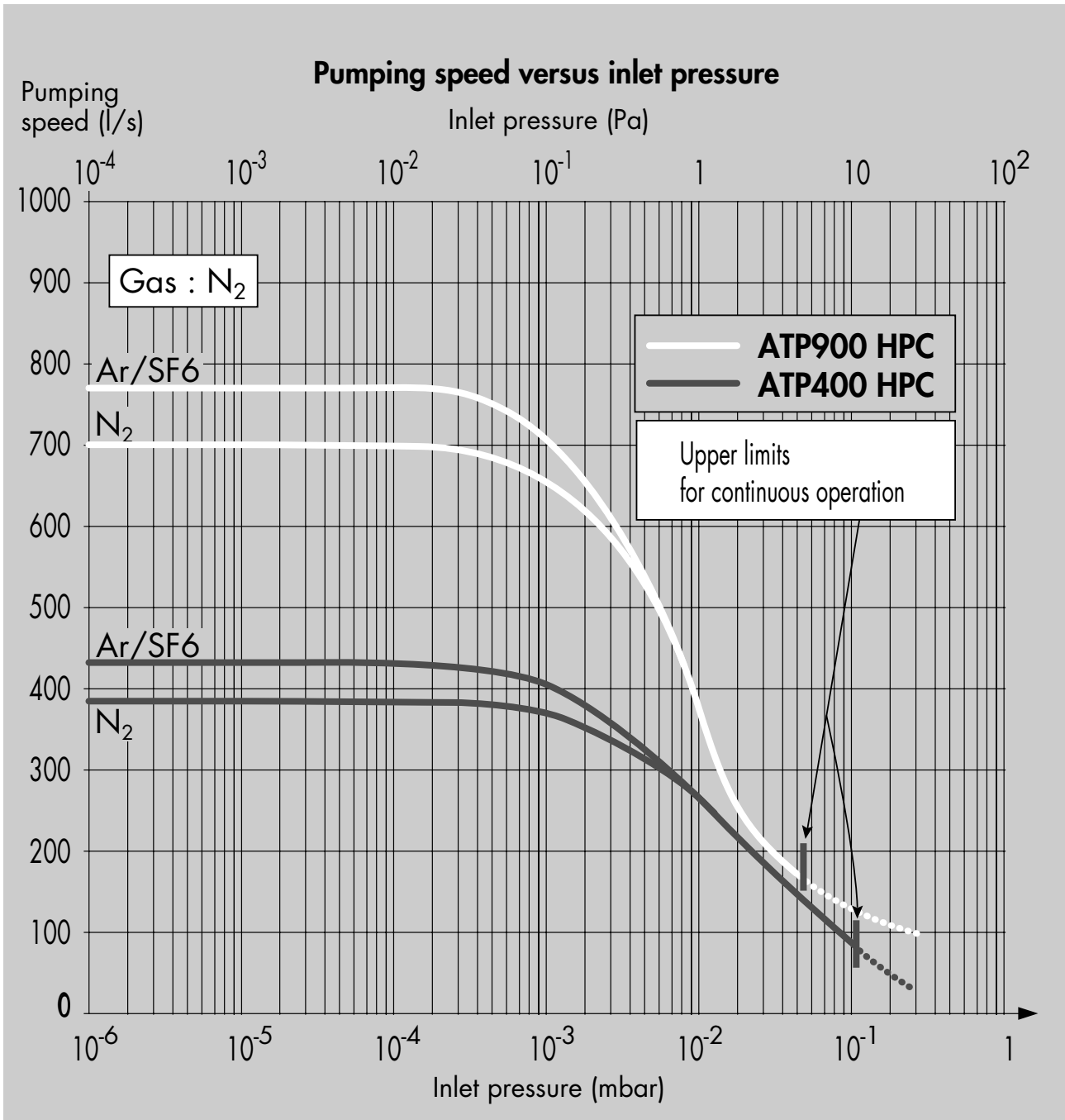
GB 00466 - Edition 01 - March 97

# Pumping curves



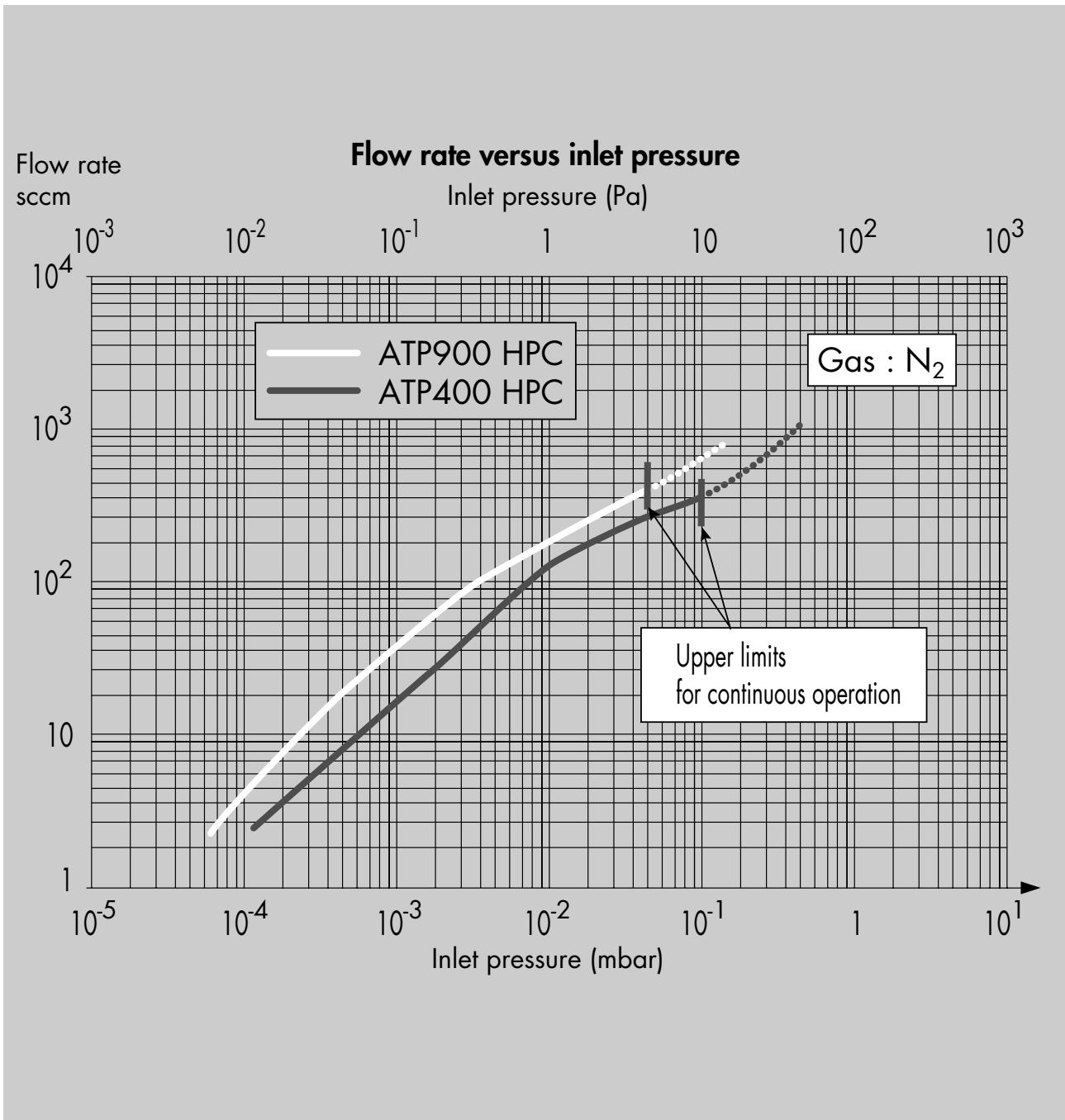


# Pumping curves



GB 00466 - Edition 01 - March 97

# Pumping curves



**CHINA**

Alcatel Vacuum Technology, Shanghai  
N°82 Lane 887 Zuchongzhi Road  
Zhangjiang High-Tech Park,  
Shanghai 201203 - P.R. China  
Tel. (86) 21 5027 0628  
Fax. (86) 21 3895 3815

**FRANCE**

Alcatel Vacuum Technology France  
98, avenue de Brogny - BP 2069  
74009 Annecy cedex  
Tel. (33) 4 50 65 77 77  
Fax. (33) 4 50 65 77 89

**GERMANY**

Alcatel Hochvakuumtechnik GmbH  
Am Kreuzeck 10 - Postfach 1151  
97877 Wertheim  
Tel. (49) 9342 9610 00  
Fax. (49) 9342 9610 30

**ITALY**

Alcatel Vacuum Systems  
Via Trento, 30  
20059 Vimercate (Mi)  
Tel. (39) 0396 86 38 55  
Fax. (39) 039 66 71 25

**JAPAN**

Alcatel Vacuum Technology Japan  
4-3-10 Shimokodanaka,  
Nakahara-ku  
Kawasaki, Kanagawa 211-0041  
Tel. (81) 44-797-5920  
Fax. (81) 44-797-5932

**KOREA**

Alcatel Vacuum Technology Korea  
447 Banwol-dong, Hawsung-si, Kyungki-  
do,  
445-330, Korea  
Tel. (82) 031-206-6277  
Fax. (82) 031-204-6279

**NETHERLANDS**

ALCATEL Vacuum Technology Benelux  
Landzichtweg 60  
NL 4105 DP Culemborg  
THE NETHERLANDS  
Tel. (31) 345 478 400  
Fax. (31) 345 531 076

**SINGAPORE**

Alcatel Singapore Pte Ltd  
49 Jalan Pemimpin  
#01-01 APS Industrial Building  
577203 Singapore  
Tel. (65) 62540828  
Fax. (65) 62547018

**SWEDEN**

Adixen Sensistor AB.  
Box 76 - SE-581 02 Linköping  
SWEDEN  
Tel. 46 (0)13 35 59 00  
Fax. 46 (0)13 35 59 01

**TAIWAN**

Alcatel Vacuum Taiwan  
No. 169-3, Sec.1, Kang-Leh Rd  
Song-Lin Village, Hsin-Feng 304  
Hsin-Chu County, Taiwan -R.O.C.  
Tel. (886) 35599230  
Fax. (886) 35599231

**UNITED KINGDOM**

Alcatel Vacuum Technology UK Ltd  
8 Bain Square - Kirkton Campus  
Livingston - West Lothian  
EH54 7DQ Scotland  
Tel. (44) 1 506 418 000  
Fax. (44) 1 506 418 002

**USA**

Alcatel Vacuum Products  
67, Sharp Street  
Hingham - MA 02043  
Tel. (1) 781 331 4200  
Fax. (1) 781 331 4230